

# Overview

Click on the appropriate category for easy navigation.

Model



Adaptions Rittal

Adaptions ELDON und HÄWA

Adaptions Lohmeier

Mounting Bracket

Vertical Profiles

Screws & accessories

Wire holder

Horizontal Profiles

Spacer

Wiring Combs

Plastic Cover

Special Profiles

DIN Rail

Incline adjuster

EMC accessories  
Shielding bar & Shield  
clamp holder

EMC accessories  
Shield clamp holder &  
grounding kit

Connectors

# Vertical Profiles

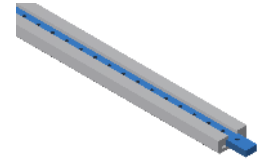
Selection of vertical profiles for your ProFlex solution.

⇒ For more information, please click on the image.

The following mounting brackets & spacers can be used

Optional

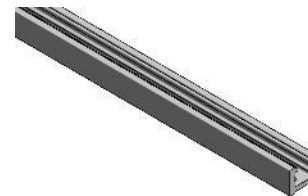
VPS.030



VPX.030



VPL.020



VPLL.016

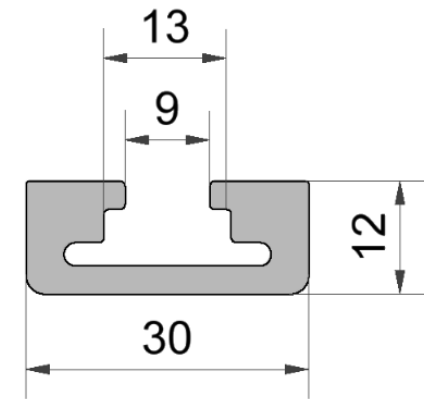
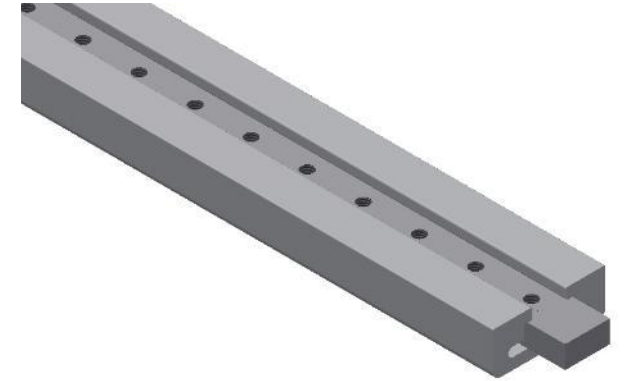
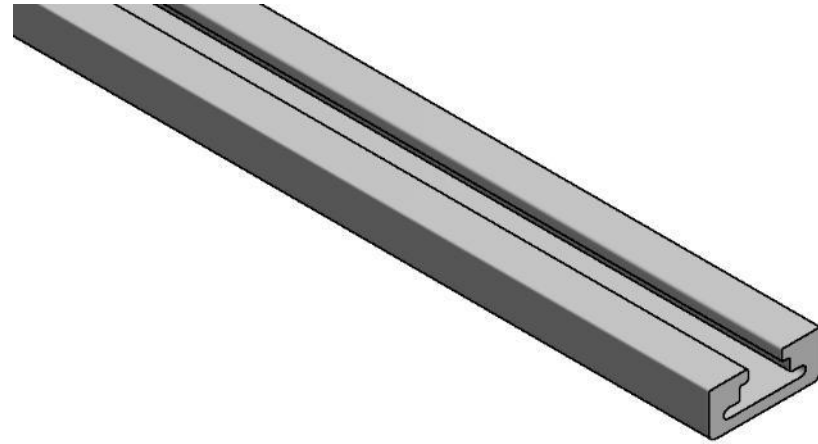


# Vertical Profile VPS.030

The slim yet strong vertical profile.

Item no.	Standard length	Sales Unit
VPS.030	6500 mm	Piece
Other lengths available on request		

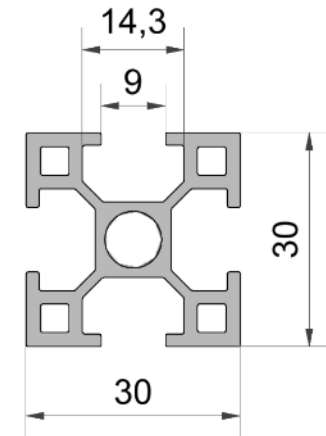
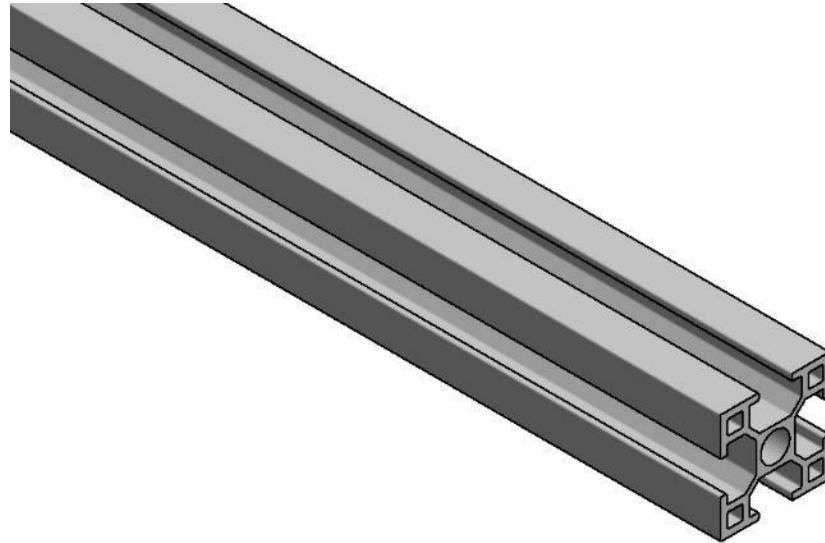
## VPS.030



# Vertical Profile VPX.030

The robust and strong Vertical Profile.

VPX.030

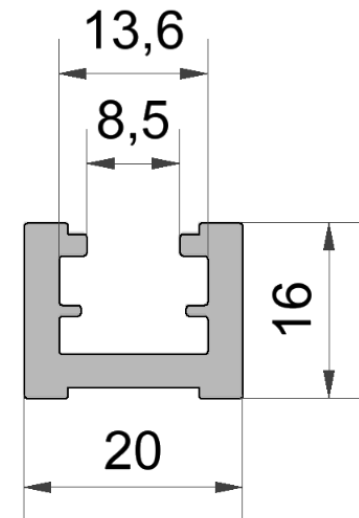
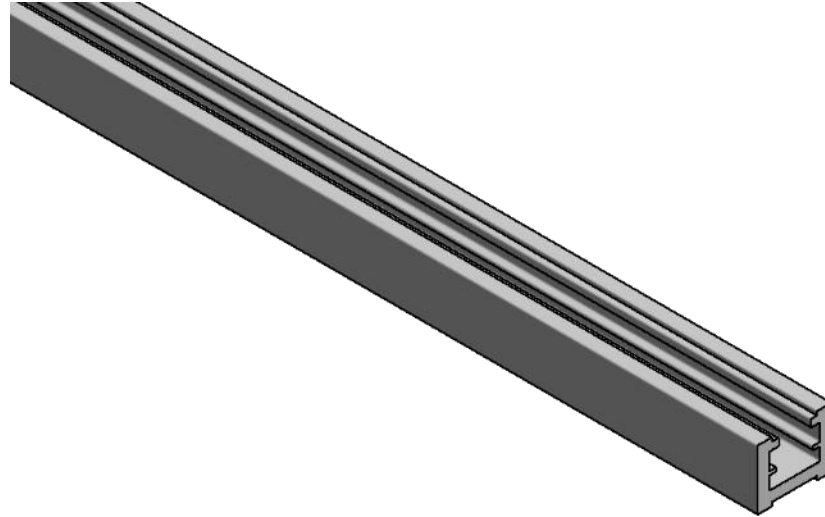


Item no.	Standardlänge	Sales Unit
VPX.030	6000 mm	Piece
Other lengths available on request		

# Vertical Profile VPL.020

The slim yet strong Vertical Profile.

VPL.020

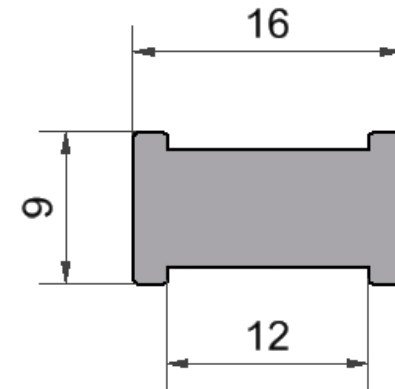
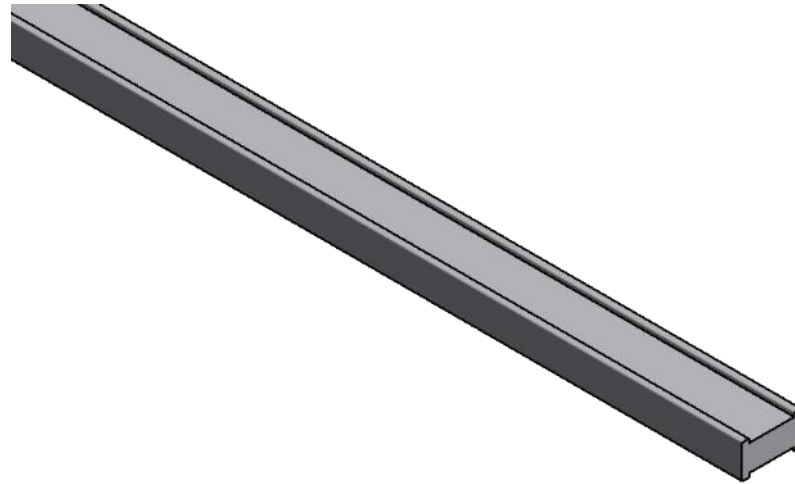


Item no.	Standard length	Sales Unit
VPL.020	6500 mm	Piece
Other lengths available on request		

# Vertical Profile VPLL.016

The lightweight among vertical profiles.

VPLL.016



Item no.	Standard length	Sales Unit
VPLL.016	2000 mm	Piece
Other lengths available on request		

⇒ Overview

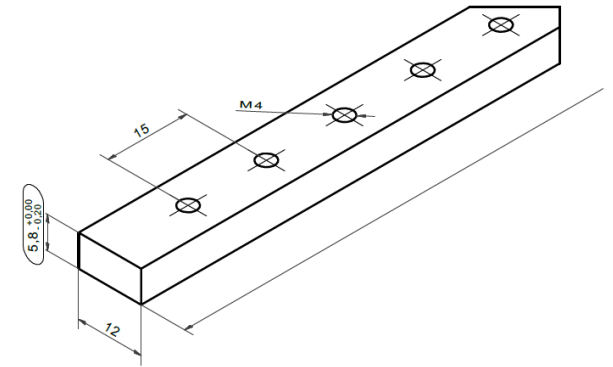
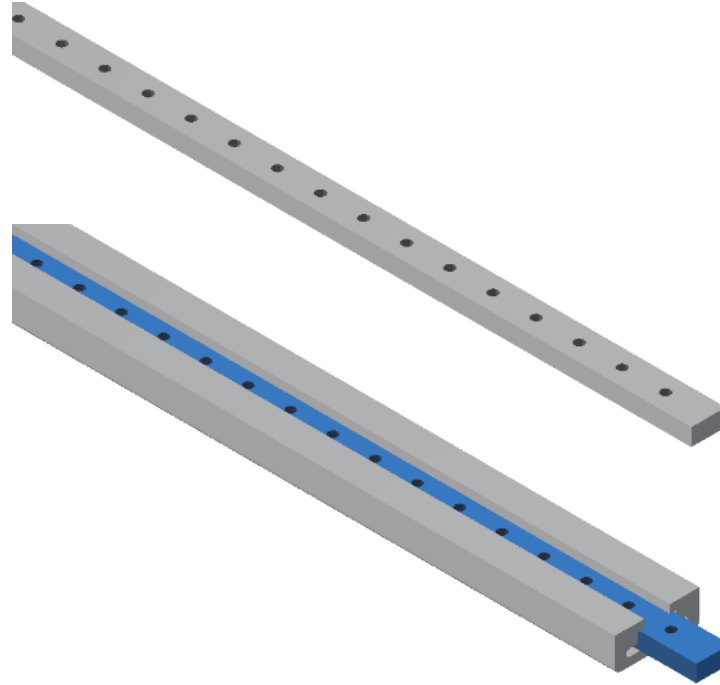
⇒ Overview Vertical Profile

# Threaded hole Bar GLL.012

Single or inserted in a VPS-/VPSN-Profile.

Item no.	Width	Standard length	Thread	Sales Unit
GLL.012	12	2000 mm	M4	Piece
Other lengths available on request				

GLL.012



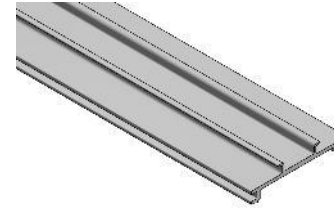
# Horizontal Profiles

Selection of Horizontal Profiles for your ProFlex solution.

⇒ For more information, please click on the image.

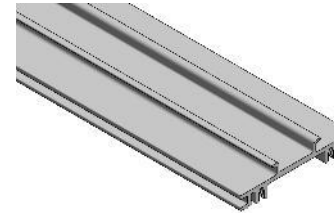
## HPA

The DIN rail is used to snap control elements.



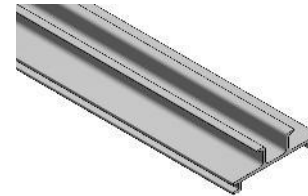
## HPAM

The reinforced DIN rail is used for snapping control elements



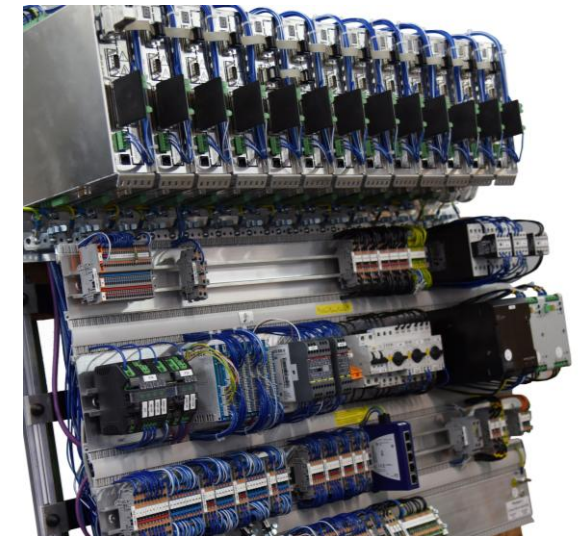
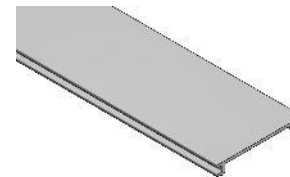
## HPB

The DIN rail is used to snap control elements with a high hat profile.



## HPC

Horizontal profiles without hat profile.



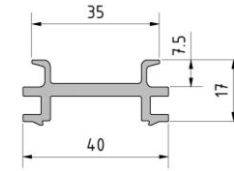
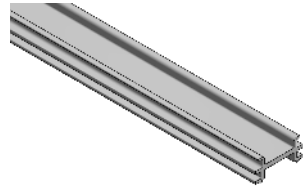
[⇒ Overview](#)[⇒ Overview Horizontalprofile](#)[⇒ Overview Spezialprofile](#)

# Horizontal profiles HPA

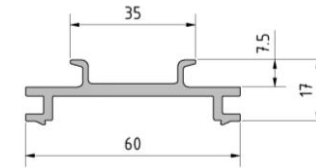
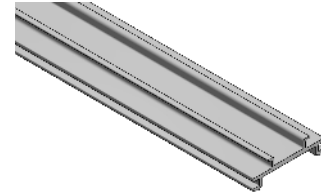
Mounting rail with DIN rail, height 7.5mm, according to DIN EN 60715.

The DIN rail is used for snapping on control elements, the groove for inserting sliding nuts.

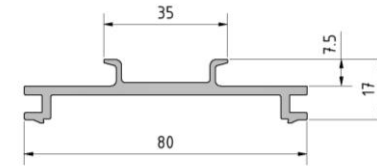
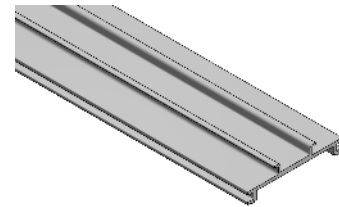
Item no.	Standard length	Sales Unit
HPA.040	4530 mm	Piece
HPA.060	4530 mm	Piece
HPA.080	4530 mm	Piece
HPA.100	4530 mm	Piece
HPA.120	4530 mm	Piece
HPA.160	4530 mm	Piece
Other lengths available on request		



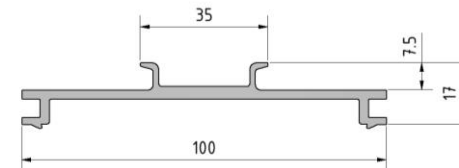
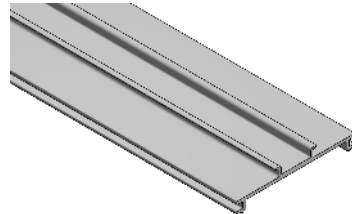
HPA.040



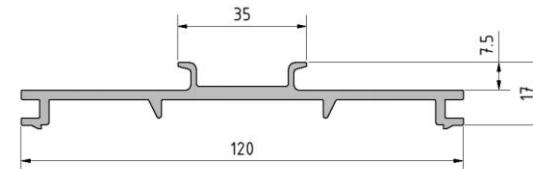
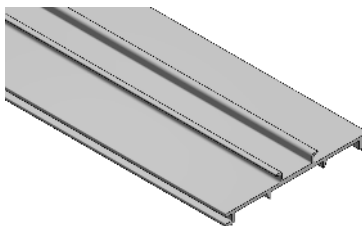
HPA.060



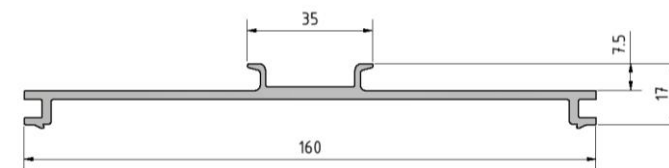
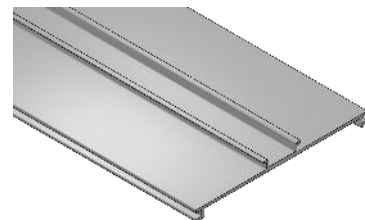
HPA.080



HPA.100



HPA.120



HPA.160

⇒ Overview

⇒ Overview Horizontal Profiles

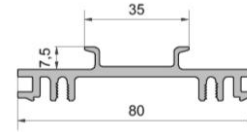
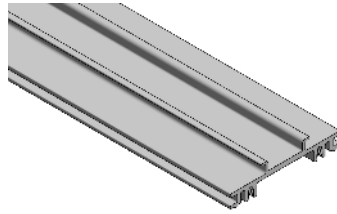
⇒ Overview Special Profiles

# Horizontalprofil HPAM

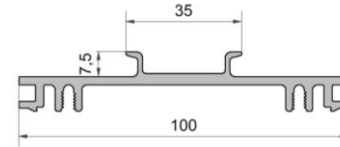
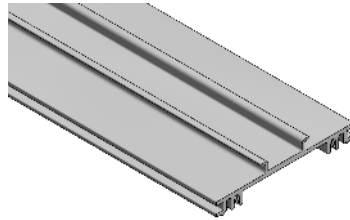
Mounting bar with DIN rail, height 7.5mm, multifunctionally reinforced in accordance with DIN/EN 607015.

The DIN rail is designed for snap-on mounting with asymmetrical DIN rail fastening.

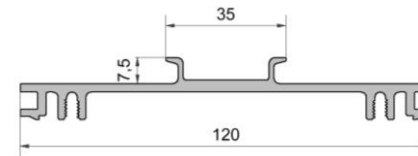
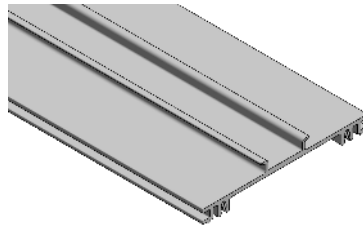
Item no.	Standard length	Sales Unit
HPAM.080	4530 mm	Piece
HPAM.100	4530 mm	Piece
HPAM.120	4530 mm	Piece
Other lengths available on request		



HPAM.080



HPAM.100



HPAM.120

⇒ Overview

⇒ Overview Horizontal Profiles

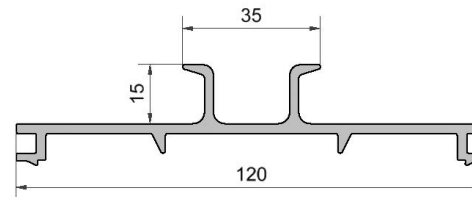
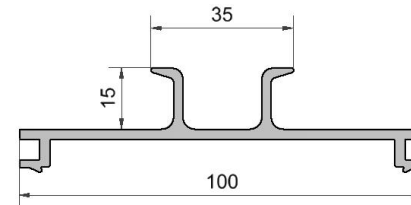
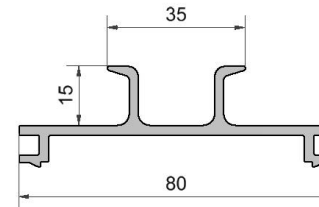
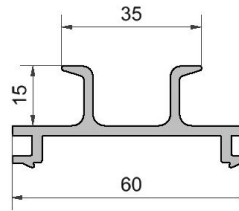
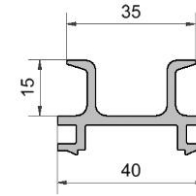
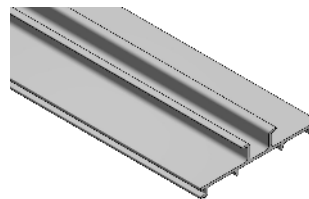
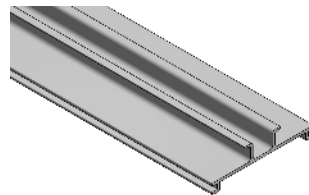
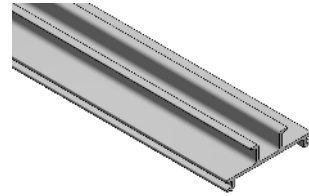
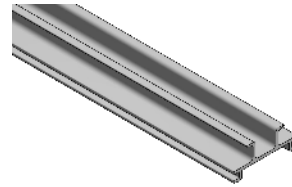
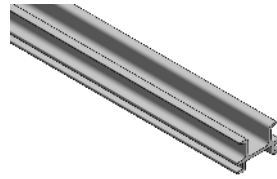
⇒ Overview Special Profiles

# Horizontal profiles HPB

Mounting bar with top-hat rail, height 15mm, according to DIN/EN 607015.

The top-hat rail is used for snapping on control elements.

Item no.	Standard length	Sales Unit
HPB.040	4530 mm	Piece
HPB.060	4530 mm	Piece
HPB.080	4530 mm	Piece
HPB.100	4530 mm	Piece
HPB.120	4530 mm	Piece
Other lengths available on request		



HPB.040

Only for mounting Bracket  
ABS.016 und ABS.020

HPB.060

HPB.080

HPB.100

HPB.120

[⇒ Overview](#)[⇒ Overview Horizontal Profiles](#)[⇒ Overview Special Profiles](#)

# Horizontal profiles HPC

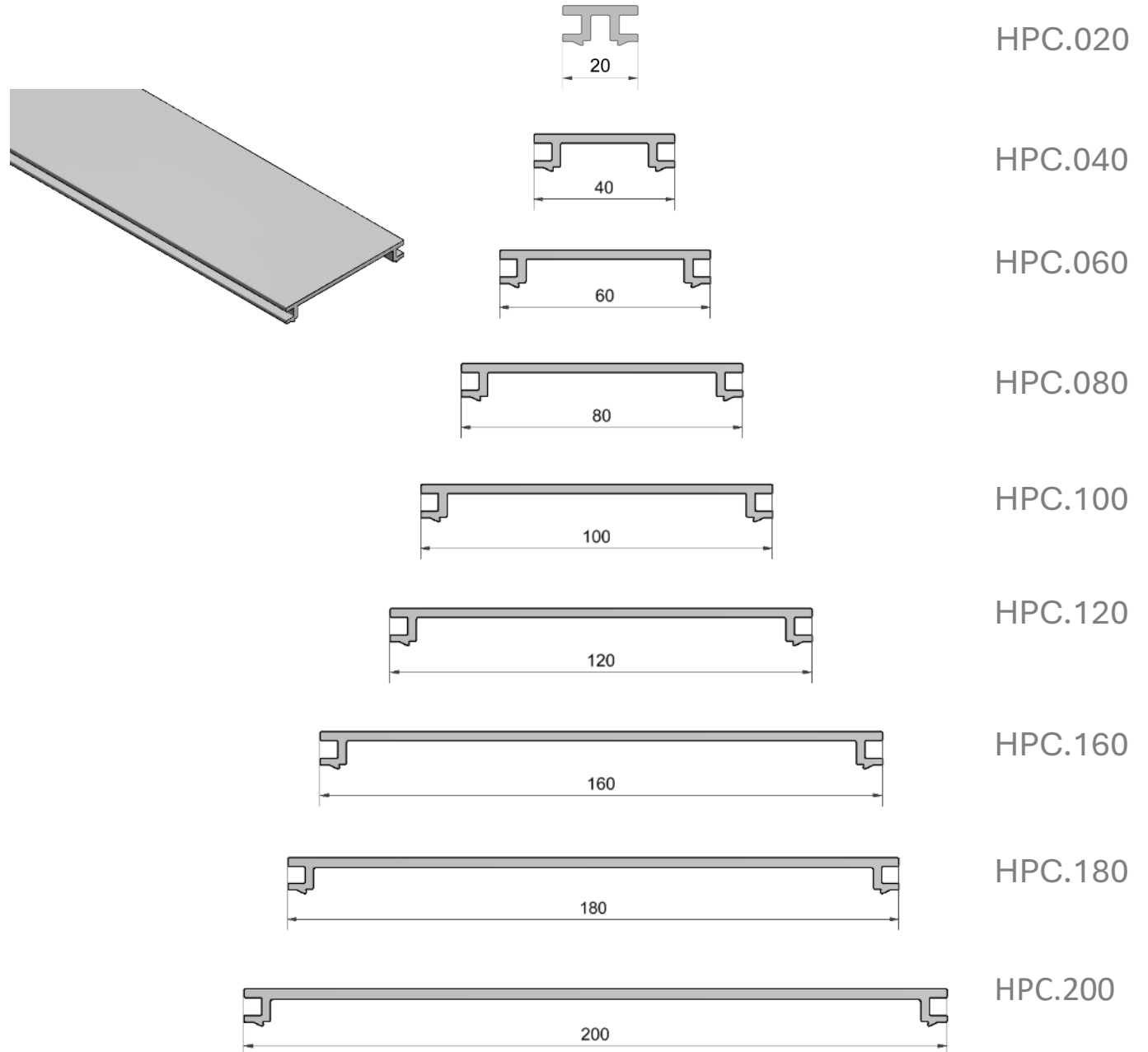
## Mounting rail without DIN rail

Mounting rail available in widths from 20–200 mm (HPC.020–HPC.200).

Versatile support profile:

- DIN rails or components can be mounted directly.
- Available with holes or threads according to customer specifications.
- Suitable for control cabinet, machinery, and plant engineering.

Item no.	Standard length	Sales Unit
HPC.020	4530 mm	Piece
HPC.040	4530 mm	Piece
HPC.060	4530 mm	Piece
HPC.080	4530 mm	Piece
HPC.100	4530 mm	Piece
HPC.120	4530 mm	Piece
HPC.140	4530 mm	Piece
HPC.160	4530 mm	Piece
HPC.180	4530 mm	Piece
HPC.200	4530 mm	Piece
Other lengths available on request		



⇒ Overview

⇒ Overview Horizontal Profiles

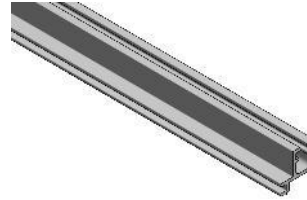
⇒ Edge Protection Profile

# Special Profiles

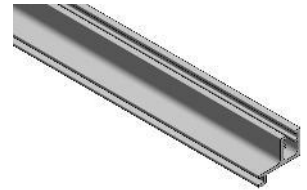
Selecting the special profiles for your ProFlex solution.

⇒ For more information, please click on the image

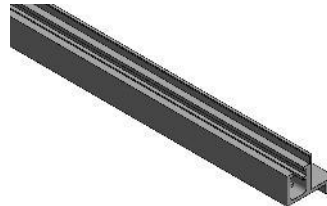
HPD.030



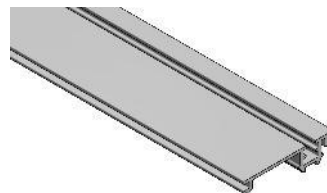
HPD.040



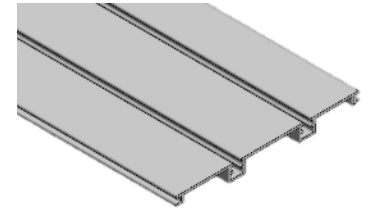
HPH.040



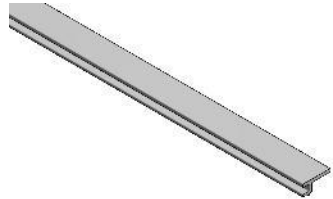
HPI.080



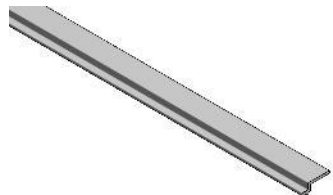
HPI.195



HPF.023



HPZ.023



[⇒ Overview](#)[⇒ Overview Horizontal Profiles](#)[⇒ Overview Special Profiles](#)

# Special Profiles HPD & HPH

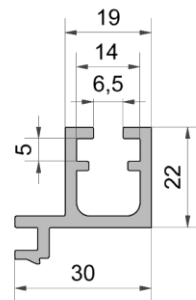
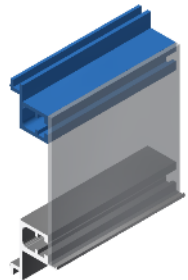
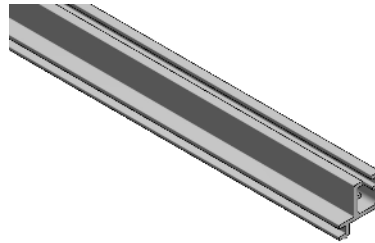
Mounting bar for holding M3-M8 sliding nuts, for fastening screwed devices and mounting plates.

Item no.	Standardlänge	Sales Unit
HPD.030	4530 mm	Piece*
HPD.040	4530 mm	Piece
HPF.040	4530 mm	Piece

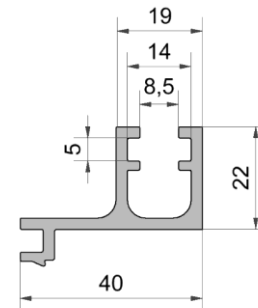
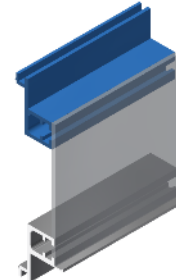
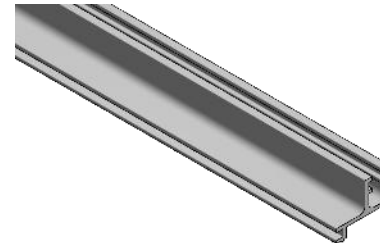
weitere Längen auf Anfrage

\* Nur für Mounting Bracket ABS.016 und ABS.020 geeignet.

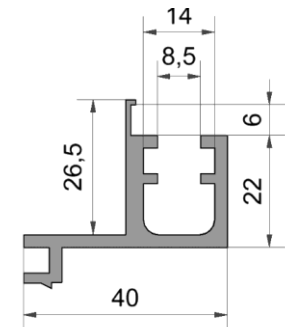
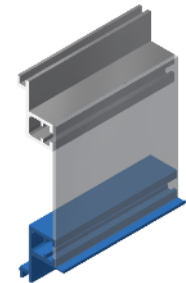
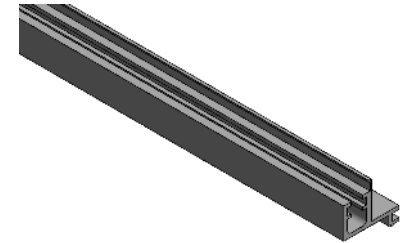
## HPD.030



## HPD.040



## HPH.040



⇒ Overview

⇒ Overview Horizontal Profiles

⇒ Overview Special Profiles

# Special Profiles

## HPI.080

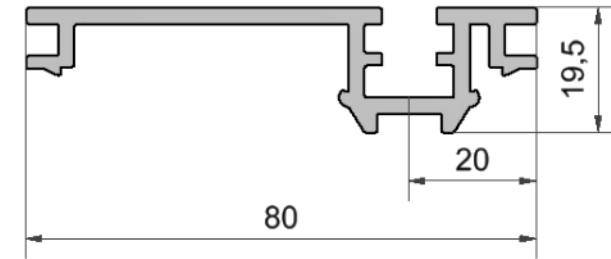
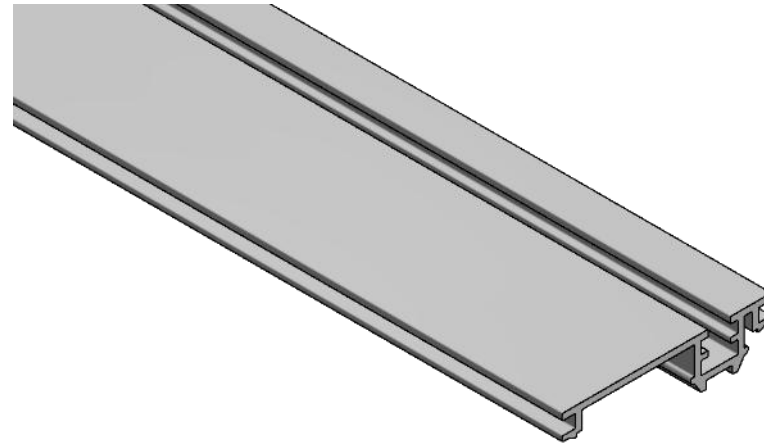
Mounting rail with a smooth surface and an integrated slot for sliding nuts M3–M8.

The large surface area allows the installation of a wide variety of devices. The HPI profile is particularly suitable for the installation of busbar systems, transformers, chokes, etc.

\*Only suitable for mounting bracket ABS.016 and ABS.020

Item no.	Standard length	Sales Unit
HPI.080	4530 mm	Piece*
Other lengths available on request		
* Only suitable for mounting bracket ABS.016 and ABS.020.		

## HPI.080



PP-plates in various heights are available on request as filler elements between two HPI profiles.

⇒ Overview

⇒ Overview Horizontal Profiles

⇒ Overview Special Profiles

# Special Profiles

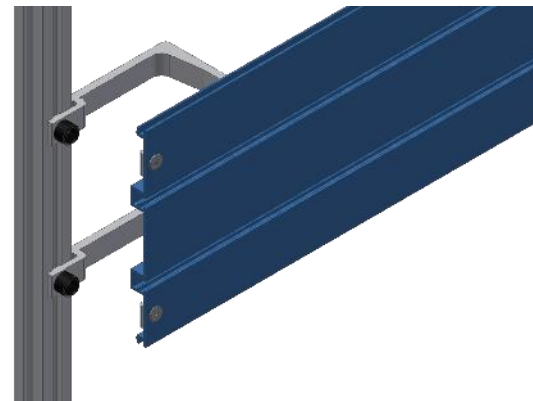
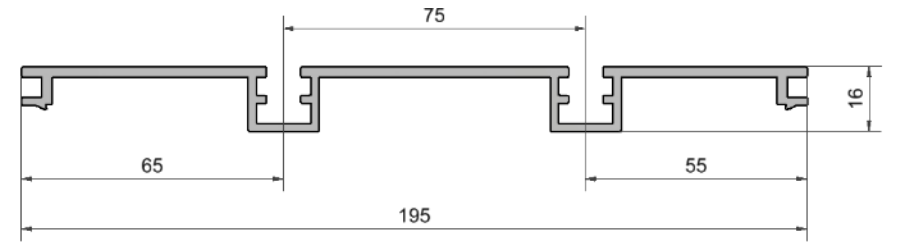
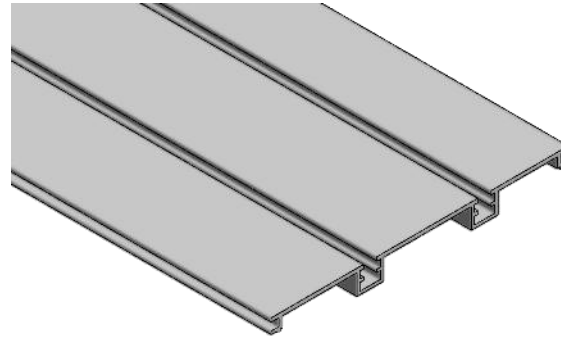
## HPI.195

Mounting rail for the direct and cost-effective installation of busbar systems from Rittal, Wöhner, and other components.

\*Only suitable for mounting bracket ABS.016 and ABS.020.

Item no.	Standard length	Sales Unit
HPI.195	4530 mm	Piece
Other lengths available on request.		

## HPI.195



⇒ Overview

⇒ Overview Horizontal Profiles

⇒ Overview Special Profiles

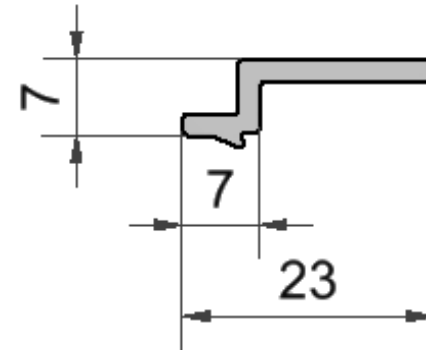
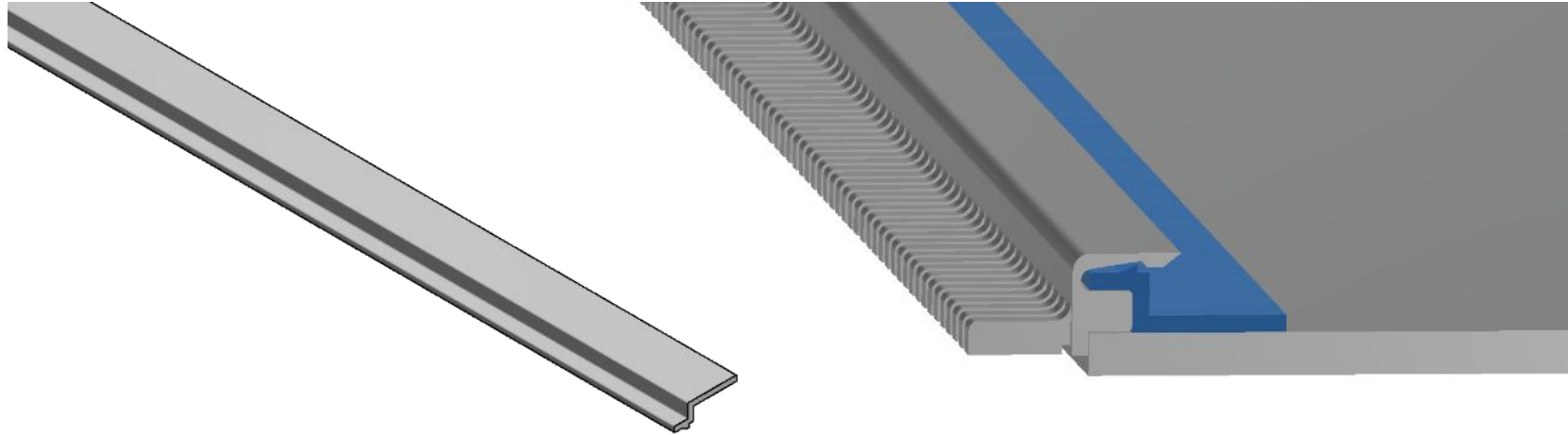
# Special Profiles

## HPZ.023

For mounting a wiring comb (KKS and KKG) on a base plate. Can be either glued or screwed in place.

Item no.	Standard length	Sales Unit
HPZ.023	4530 mm	Piece
Other lengths available on request		

HPZ.023



[⇒ Overview](#)[⇒ Overview Horizontal Profiles](#)[⇒ Overview Special Profiles](#)

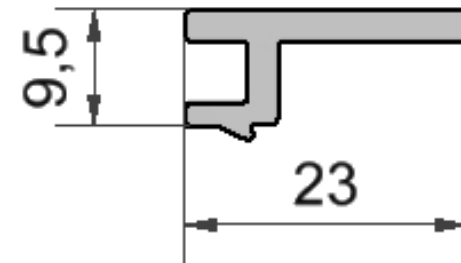
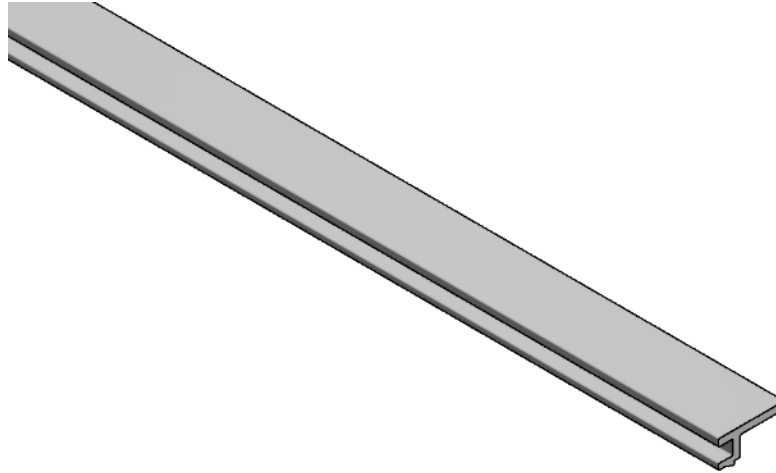
# Special Profiles

## HPF.023

Mounting bar with smooth surface, for attaching wiring combs as a possible termination of a wiring frame, or for attaching devices with screw fastenings.

\* Only suitable for mounting bracket ABS.016.

### HPF.023



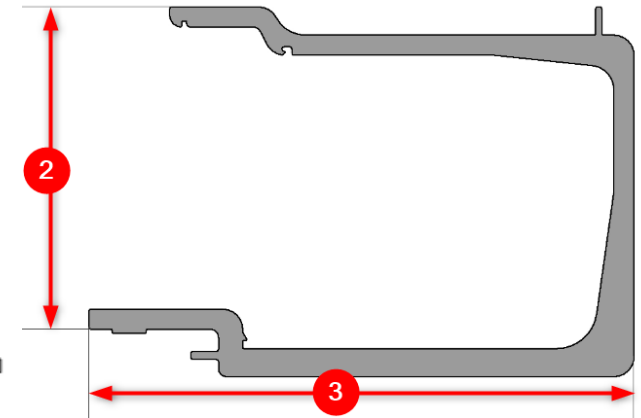
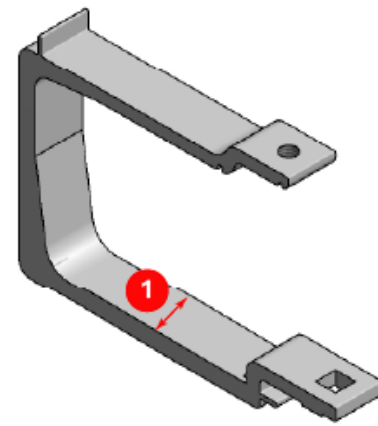
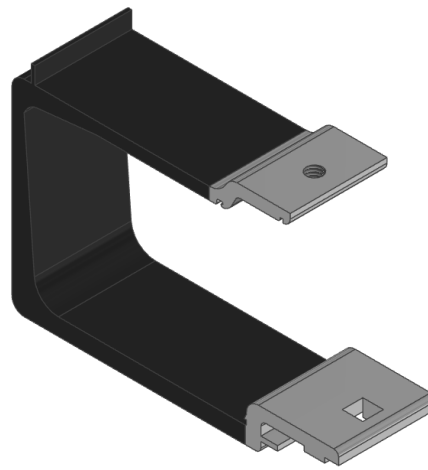
Item no.	Standard length	Sales Unit
HPF.023	4530 mm	Piece
Other lengths available on request		

# Mounting Bracket

The mounting brackets are used to connect the vertical profiles to the horizontal profiles and to guide the wires/cables.

Coating color: blackSurface

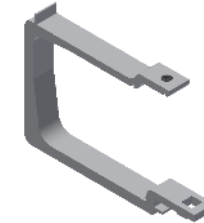
Contact surface: aluminum mill finish for optimal electrical conductivity, remaining surfaces coatedDielectric strength of > 5 kV



## ABS.016



ABS.016.0135.050

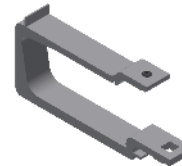


ABS.016.0135.080

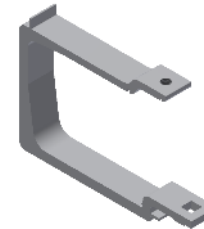


ABS.016.0135.120

## ABS.020



ABS.020.0135.050

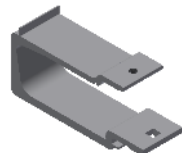


ABS.020.0135.080

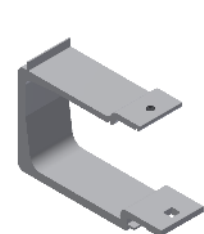


ABS.020.0135.120

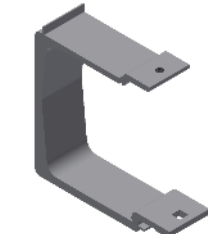
## ABS.040



ABS.040.0135.050



ABS.040.0135.080



ABS.040.0135.120

Item no.	1	2	3	Sales Unit
ABS.016.0135.050	16	50	135	50 Piece
ABS.016.0135.080	16	80	135	50 Piece
ABS.016.0135.120	16	120	135	50 Piece
ABS.020.0135.050	20	50	135	50 Piece
ABS.020.0135.080	20	80	135	50 Piece
ABS.020.0135.120	20	120	135	50 Piece
ABS.040.0135.050	40	50	135	50 Piece
ABS.040.0135.080	40	80	135	50 Piece
ABS.040.0135.120	40	120	135	50 Piece

⇒ Overview

⇒ Mounting Bracket

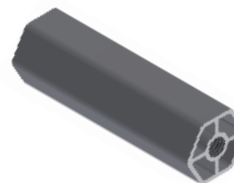
⇒ Spacer

# Spacer

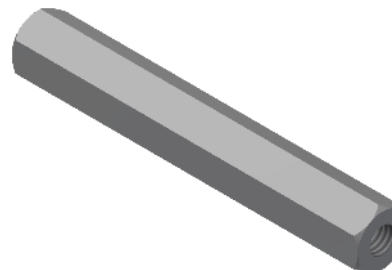
Spacer profiles are made of aluminum and can be used instead of mounting brackets to connect the vertical profiles to the horizontal ones and guide the wires/cables.

⇒ For more information, please click on the image.

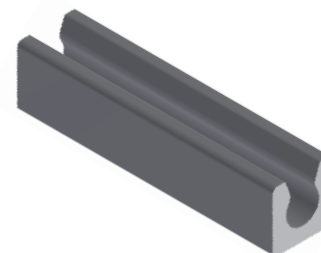
DPG.024



DPK.013



DPL.012



# Spacer DPG

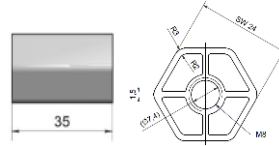
Spacer profiles are made of aluminum and can be used instead of mounting brackets to connect vertical profiles to horizontal ones and guide wires/cables.

Only suitable for M8 screws. Thread 8 mm.

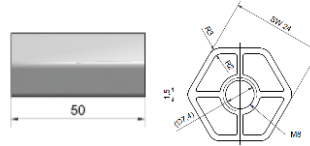
## DPG.024



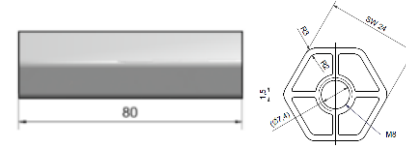
DPG.024.0035.000



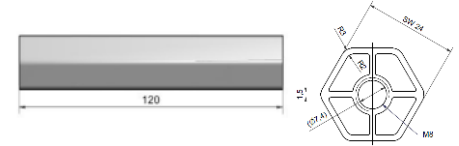
DPG.024.0050.000



DPG.024.0080.000

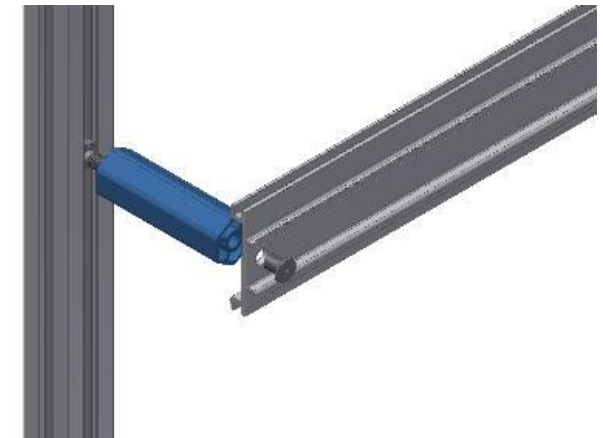


DPG.024.0120.000



Item no.	Height	Width	Sales Unit
DPG.024.0007.000	7*	24	100 Piece
DPG.024.0010.000	10*	24	100 Piece
DPG.024.0015.000	15*	24	100 Piece
DPG.024.0020.000	20	24	100 Piece
DPG.024.0030.000	30	24	100 Piece
DPG.024.0035.000	35	24	100 Piece
DPG.024.0050.000	50	24	100 Piece
DPG.024.0080.000	80	24	100 Piece
DPG.024.0120.000	120	24	100 Piece

\*without thread

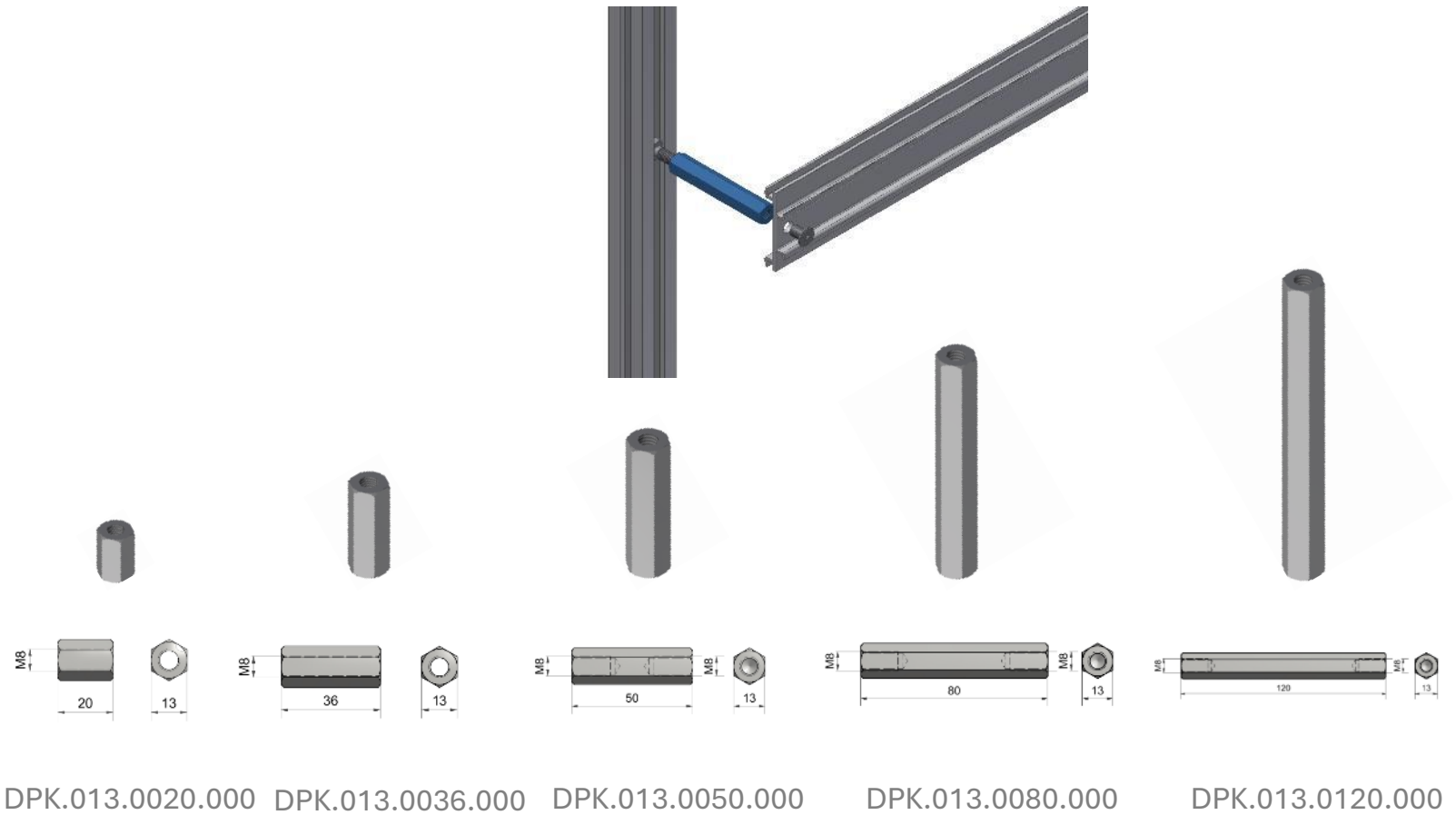


# Spacer DPK

Spacer profiles are made of aluminum and can be used instead of the mounting brackets to connect the vertical profiles with the horizontal ones and to guide the wires/cables.

Item no.	Height	Width	Sales Unit
DPK.013.0020.000	20	13	100 Piece
DPK.013.0036.000	36	13	100 Piece
DPK.013.0050.000	50	13	100 Piece
DPK.013.0080.000	80	13	100 Piece
DPK.013.0120.000	120	13	100 Piece

## DPK.013

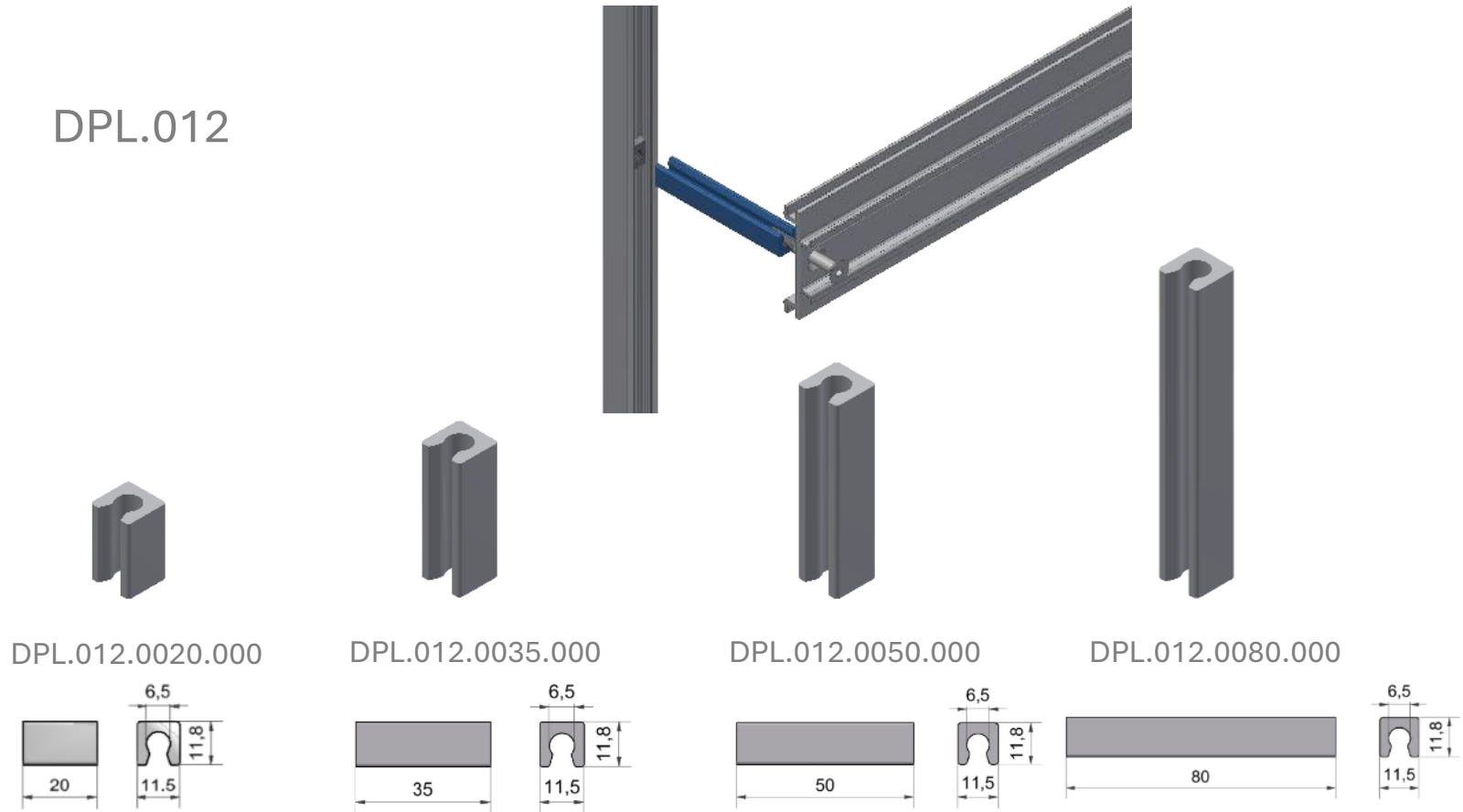


# Spacer DPL

The DPL type is used as a spacer between the vertical base profile and the horizontal mounting bar.

In conjunction with the guide groove of the VPL base profile, optimum system stability is achieved.

## DPL.012



DPL.012.0020.000

DPL.012.0035.000

DPL.012.0050.000

DPL.012.0080.000

Item no.	Height	Width	Sales Unit
DPL.012.0010.000	10	12	100 Piece
DPL.012.0015.000	15	12	100 Piece
DPL.012.0030.000	30	12	100 Piece
DPL.012.0035.000	35	12	100 Piece
DPL.012.0040.000	40	12	100 Piece

Item no.	Height	Width	Sales Unit
DPL.012.0050.000	50	12	100 Piece
DPL.012.0060.000	60	12	100 Piece
DPL.012.0070.000	70	12	100 Piece
DPL.012.0080.000	80	12	100 Piece

Other heights available on request

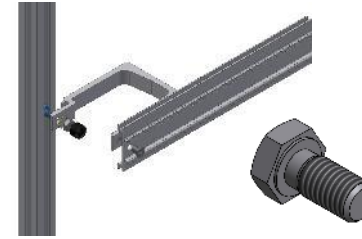
# Screws & accessories

Selection of horizontal profiles for your ProFlex solution.

Item no.	Mass	Sales Unit
SSV.056.0008.016	M8 x 16	100 Piece
SFV.789.0000.006	M6	200 Piece
SFV.789.0000.008	M8	200 Piece
SSV.640.4008.010	M8 x 10	100 Piece
KMF.136.4000.008	M8	100 Piece
SSV.001.0008.016	M8 x 16	100 Piece
SSV.001.0008.025	M8 x 25	100 Piece
KSS.109.4000.008	M8	100 Piece
SEM.201.0000.005	M5	100 Piece
SMV.117.0000.008	M8	100 Piece

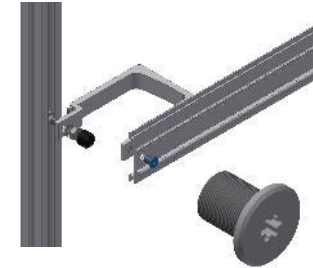
## SSV.056

To attach the mounting bracket to the vertical profile. M8



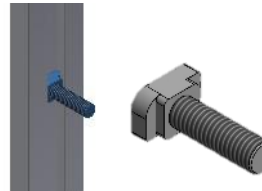
## SSV.952

For attaching the horizontal profile to the mounting bracket. M8



## SSV.001

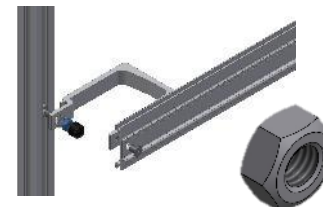
For the suitable, retrofittable installation of a horizontal profile.



Compatible with vertical profiles VPX and VPS. M8

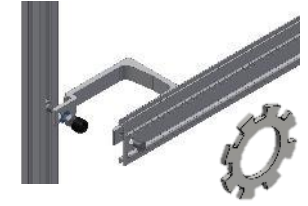
## SMV.117

Hex nut M8



## SFV.789

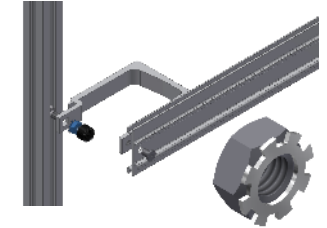
For securing M6 + M8 screw connections.



SFV.789.0000.006 and SFV.789.0000.008

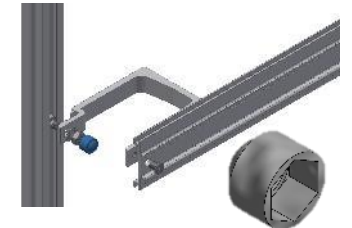
## KMF.136

For securing M8 screw connections.



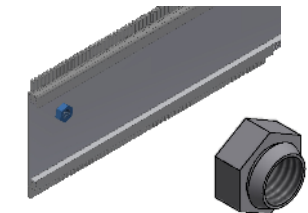
## KSS.109

As protection over the M8 hex nut.



## SEM.201

Hexagon press-fit nut



Various sizes

# Screws & accessories

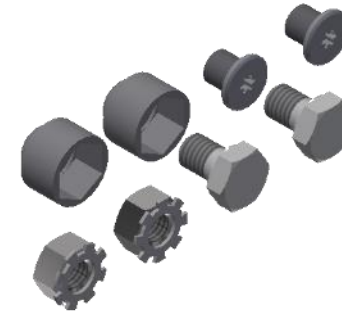
Selection of horizontal profiles for your ProFlex solution.

Item no.	Thread	Sales Unit
MSH.008.0000.000		1 Set
KGK.913.0013.000		100 Piece
MGV.013.0013.003	M3	100 Piece
MGV.013.0013.004	M4	100 Piece
MGV.013.0013.005	M5	100 Piece
MGV.013.0013.006	M6	100 Piece
MGV.013.0013.008	M8	100 Piece

## MSH mounting kit

Set for horizontal profiles consisting of::

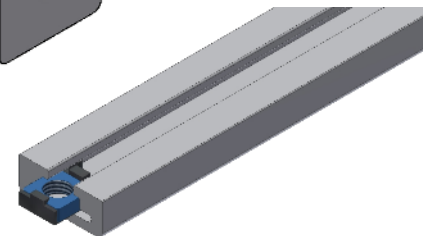
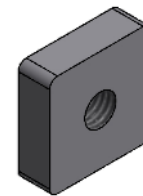
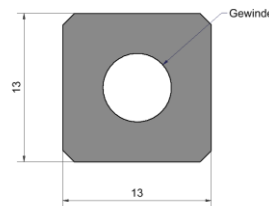
- 2 hexagon bolts M8x16
- 2 hexagon nuts (combination)
- 2 flat head screws M6x10



(for pair of mounting brackets)

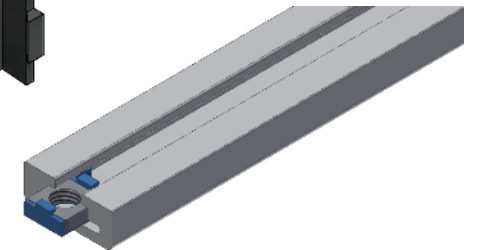
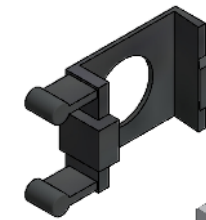
⇅ For more information, please click on the image. ⇅

Square: For insertion into all mounting rails of ProFlex profiles.



## KGK.913 Sliding nut cage (plastic)

For positioning sliding nuts



⇒ Screws & accessories 1

⇒ Overview

⇒ Incline adjuster

⇒ For more information, please click on the image.

# Top rails

Selecting DIN rails for your ProFlex solution.

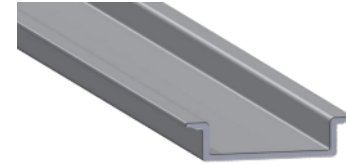
ASA.32/18

Apparatus rail



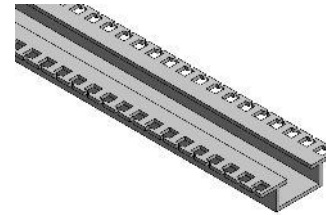
ASA.35/10

Apparatus rail



ASA.50/15

Multifix rail



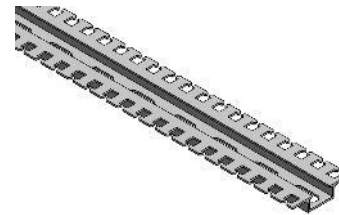
ASA.35/15

Apparatus rail



ASA.35/7.5

Multifix rail



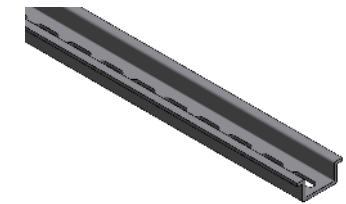
ASS.35/7.5

Apparatus rail punched



ASS.35/15

Apparatus rail punched



⇒ Overview

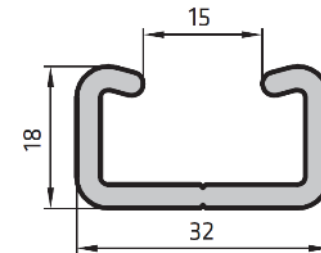
⇒ Overview top rails

⇒ Incline adjuster

ASA.32/18

# Top hat rail ASA.32/18

Anchor rail, steel



Item no.	Standard length	Sales Unit
ASA.32/18	3000 mm	10 Piece
Other lengths available on request		

⇒ Overview

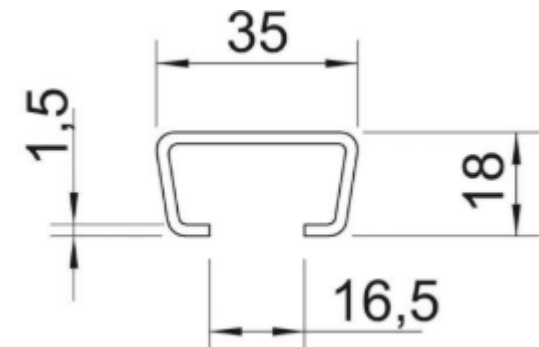
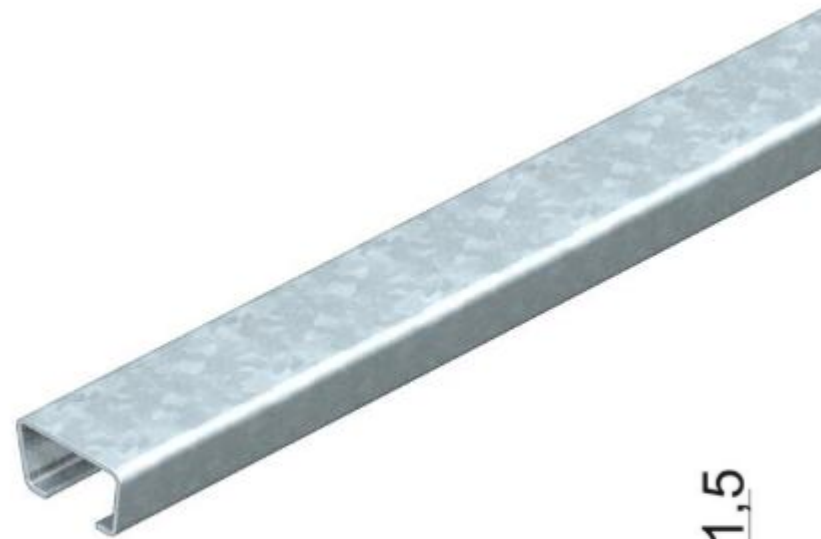
⇒ Overview top rails

⇒ Incline adjuster

# Top rail

Anchor rail, steel

Item no.	Standard length	Sales unit
ASA.34/15	2000 mm	10 Piece
Other lengths available on request		



⇒ Overview

⇒ Overview top rails

⇒ Incline adjuster

# Top rails

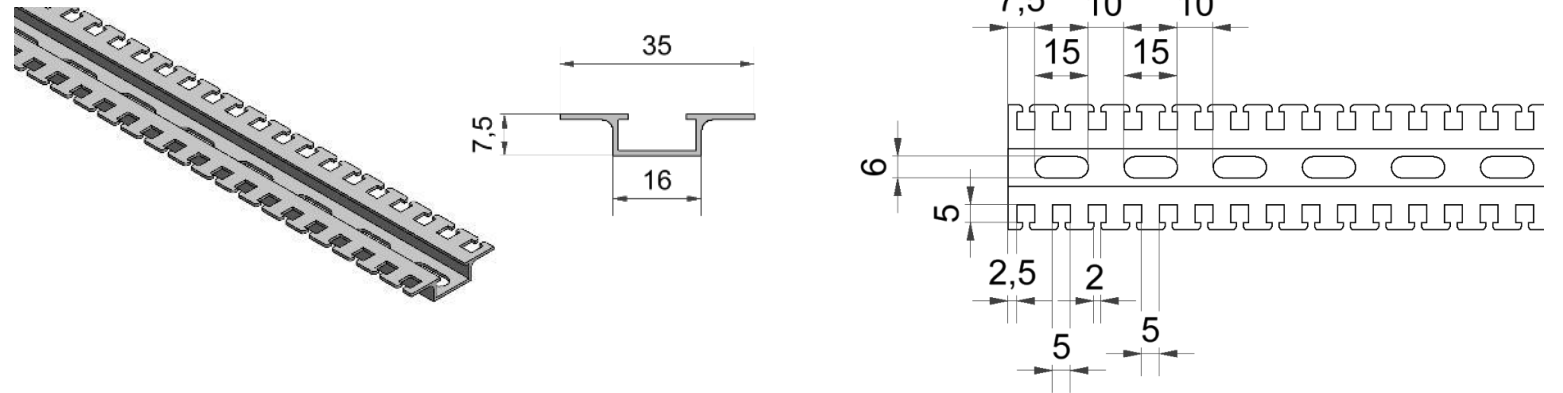
## ASA.50/15

## ASA.35/7.5

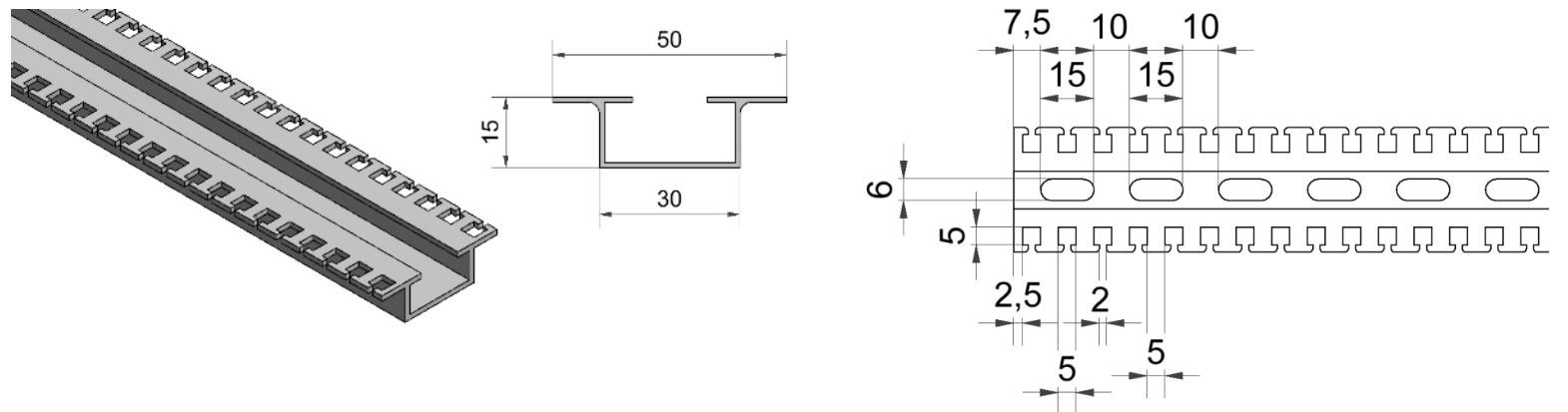
Multifix rails, aluminium

For use in the assembly of electronic components and terminals, as strain relief for cables with cable ties, and for the assembly of pneumatic and hydraulic components.

### ASA.35/7.5



### ASA.50/15



Item no.	Standard length	Sales unit
ASA.35/7.5	6000 mm	Piece
ASA.50/15	6000 mm	Piece
Other lengths available on request		

⇒ Overview

⇒ Overview top rails

⇒ Inclination device

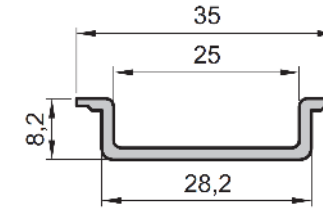
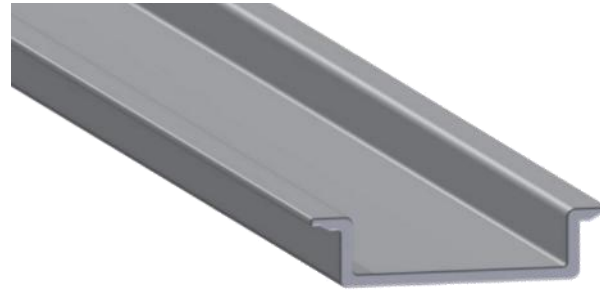
# Top rails

## ASA.35/10

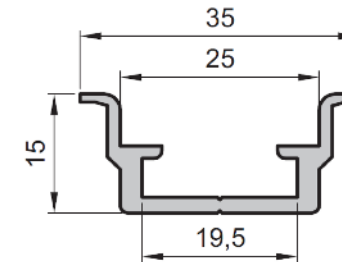
## ASA.35/15

Apparatus rail, aluminium

### ASA.35/10



### ASA.35/15



Item no.	Standard length	Sales unit
ASA.35/10	6000 mm	10 Piece
ASA.35/15	6000 mm	10 Piece
Other lengths available on request		

⇒ Overview

⇒ Overview top rails

⇒ Incline adjuster

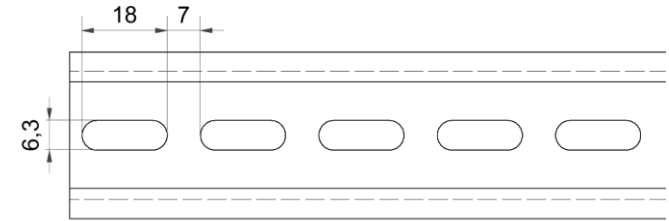
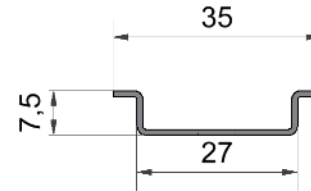
# Top rails

## ASS.35/15

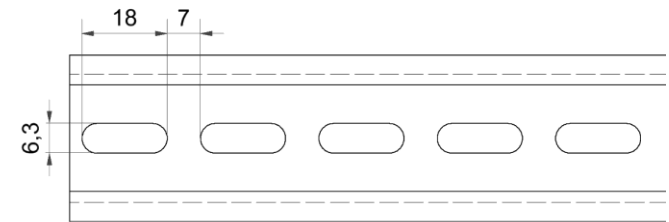
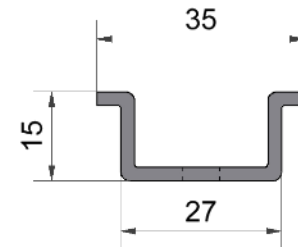
## ASS.35/7.5

Multifix rails, steel

### ASS.35/7.5



### ASS.35/15



Item no.	Standard length	Sales unit
ASS.35/7.5	2000 mm	Piece
ASS.35/15	2000 mm	Piece
Other lengths available on request		

# Incline adjuster

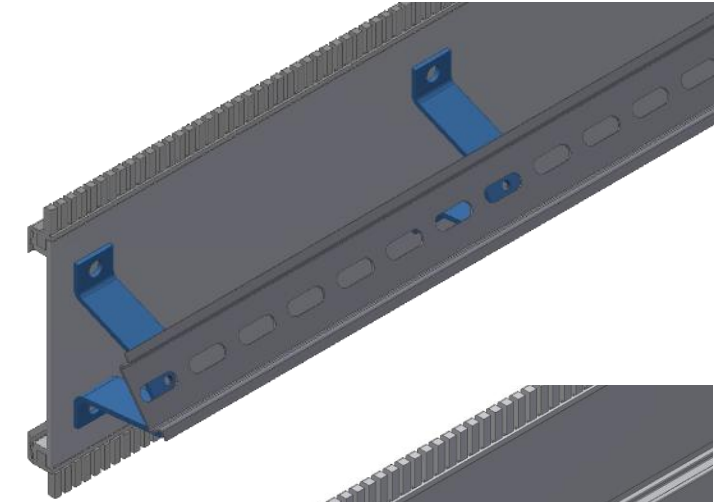
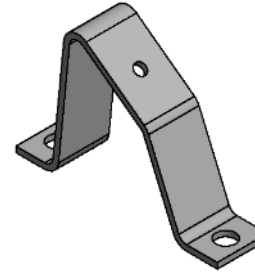
For tilting top-hat rails, for the easiest access to terminal connections.

Item no.	Height	mm	Sales unit
MSV.018.0060.048	50	width: 18	10 Piece
AKS.040.0040.022	40	Länge: 22	10 Piece*

\*Also available by the metre on request.

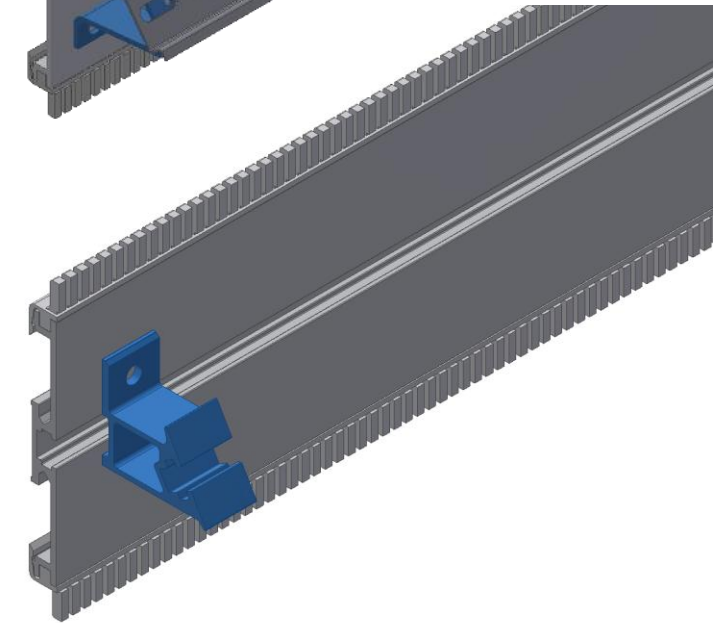
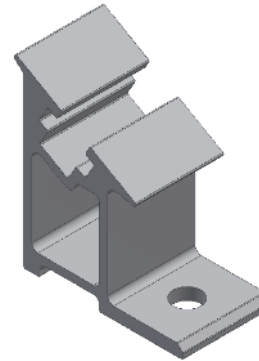
## MSV.018 Angled Mounting Bracket (Galvanised Steel)

For tilting ProFlex horizontal profiles, for easy access to clamp connections (e.g. terminal blocks).



## AKS.040 clamp angle adjuster

Suitable for terminal fastening.

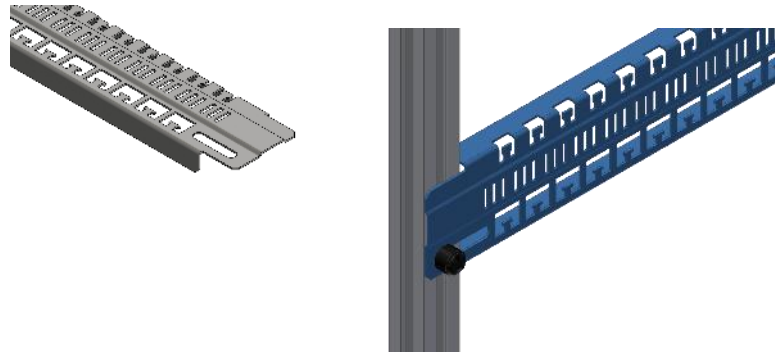


# EMC accessories

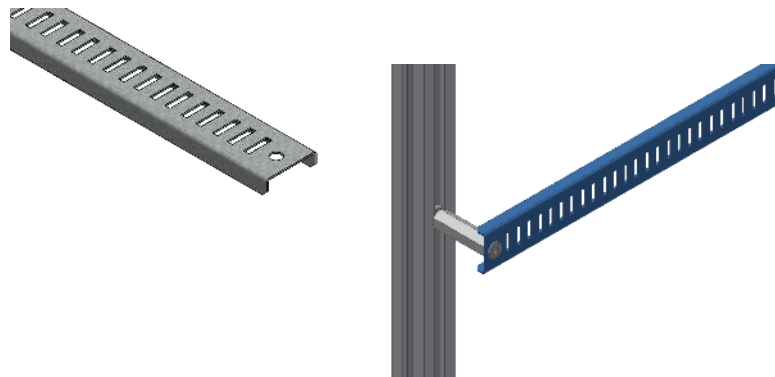
Selection of horizontal profiles for your ProFlex solution.

Item no.	Height	Width	Connections	Sales Unit
ESV.072.0578.018	72	578	18	10 Piece
ESV.072.0778.026	72	778	26	10 Piece
ESV.072.0978.034	72	978	34	10 Piece
ESV.072.1178.042	72	1178	42	10 Piece
ESV.032.0110.004	32	110	4	10 Piece
ESV.032.0114.004	32	114	4	10 Piece
ESV.032.0294.006	32	294	6	10 Piece
ESV.032.0354.016	32	354	16	10 Piece
ESV.032.0708.032	32	708	32	10 Piece
ESV.032.1062.048	32	1062	48	10 Piece
ESH.042.0023.001	32	23	1 contact	10 Piece
ESH.032.0043.002	32	43	2 contacts	10 Piece

ESV.072 EMV  
Shielding bar Stabilo

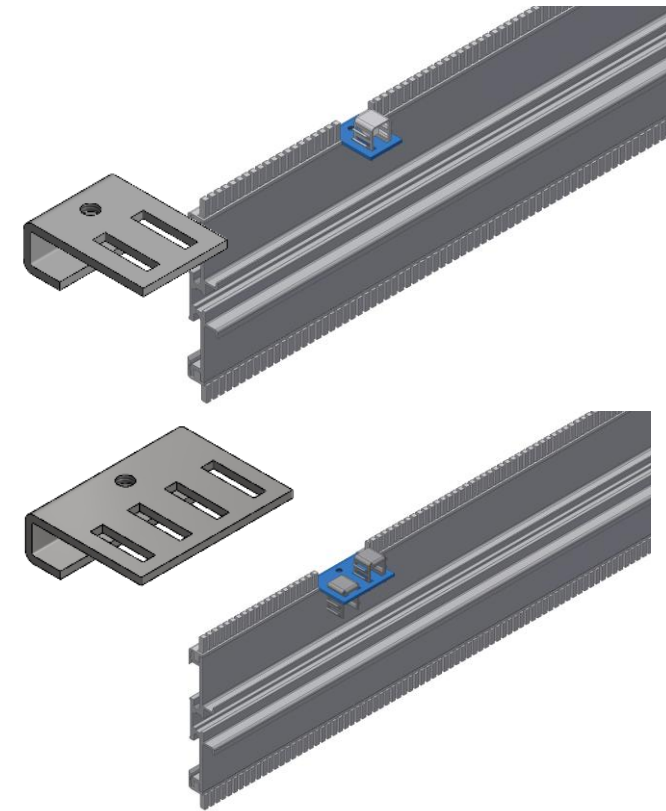


ESV.032 EMV  
Shielding bar Light



ESH.042 EMV-  
Shield clamp holder

Can be attached to all ProFlex horizontal profiles.  
For selective use of EMC connections.  
Attachment via M5x8 threaded pin.



# EMV- Accessories

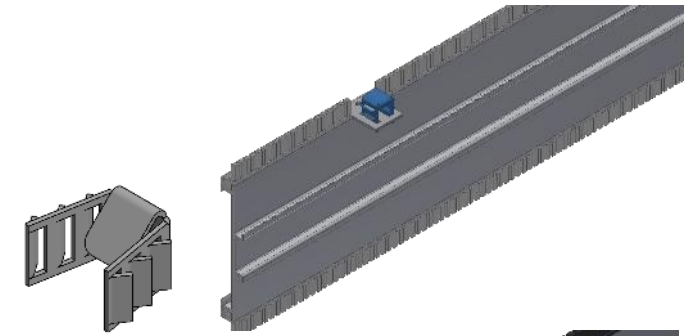
Selection of Horizontal Profiles for  
your ProFlex solution.

Item no.	Width	für cables ø	Sales Unit
ESF.013.0015.000	15	0-12 mm	100 Piece
ESK.016.0015.000	15	3-16 mm	100 Piece
Item no.	Width	Mas	Sales Unit
ESS.006.0025.000		M6	10 Set
ESS.008.0025.000		M8/250 mm	10 Set
ESS.008.0016.000		M8/160 mm	10 Set

## SF.013 EMV Shield clamp holder

For easy snap-in mounting in all ProFlex shielding rails and shield clamp holders.

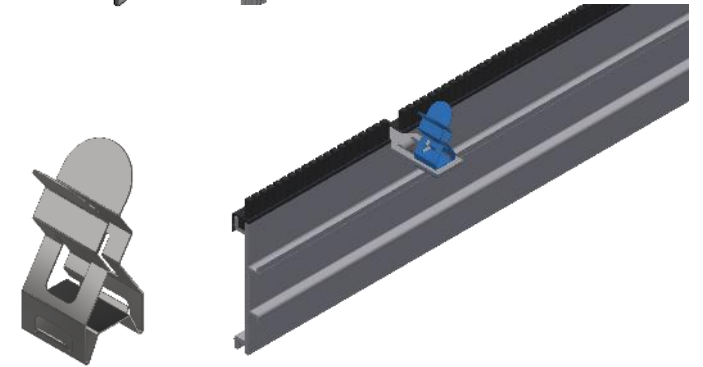
The integrated shield spring ensures long-term, reliable shield contact.



## ESK.016 EMC Shield Clamp

For easy snap-in installation in all ProFlex shield rails and shield-clamp holders.

The integrated shielding spring ensures long-term, reliable shield contact. eine langfristige einwandfreie Schirmkontaktierung gewährleistet.

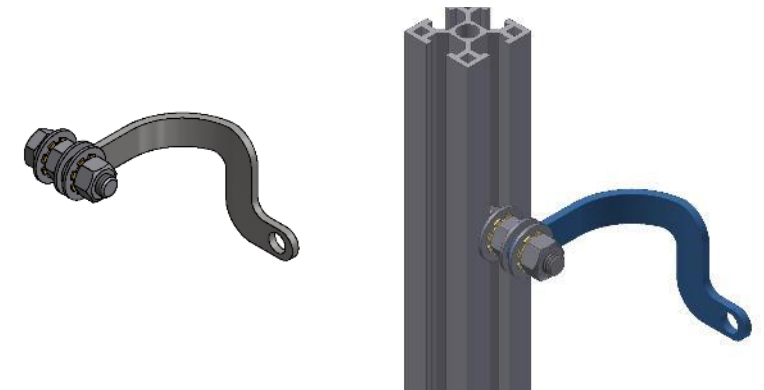


## ESS.008 EMV grounding kit (without grounding strap)

Set consists of:

- 1 hexagon bolt M8
- 2 hexagon nuts M8
- 2 spring lock washers M8
- 3 flat washers M8

Grounding straps: see chapter Busbars / Grounding Straps. For a reliable and long-lasting EMC and ground connection.

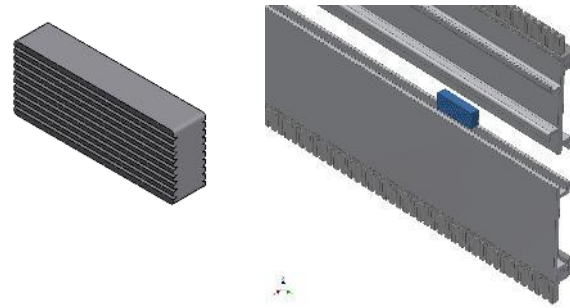


# Connection Elements

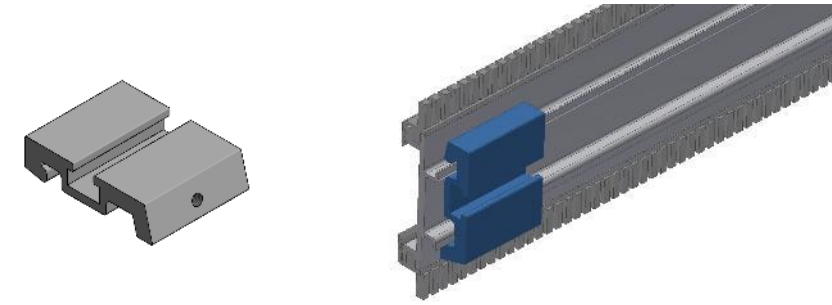
Selection of various connection elements for your ProFlex solution.

⇒ For more information, please click the image

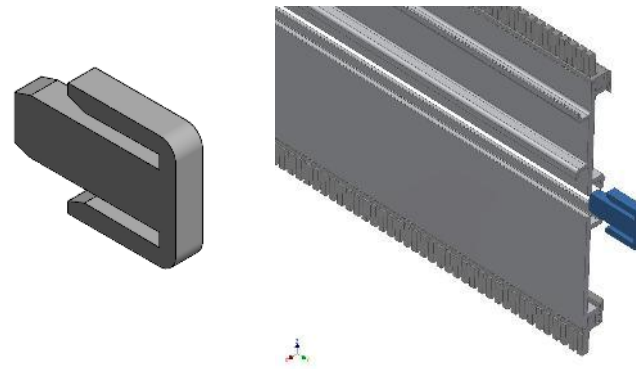
MVH.010 Reinforcement insert



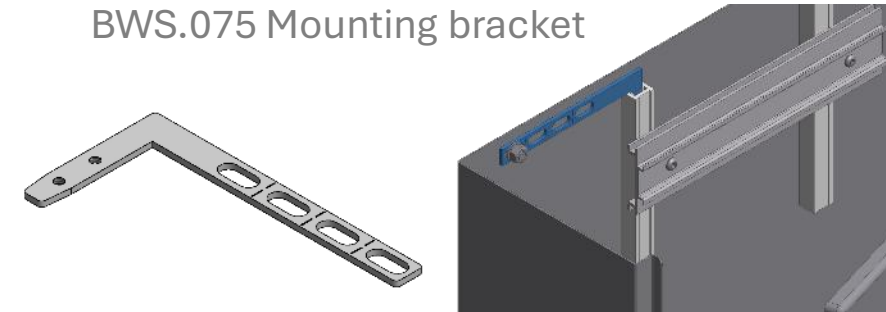
AHA.053 DIN rail adapter



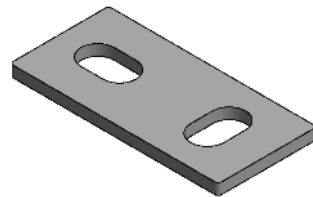
MVH.021 Connection element



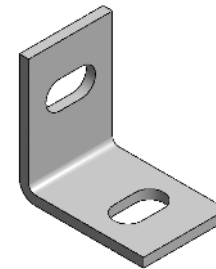
BWS.075 Mounting bracket



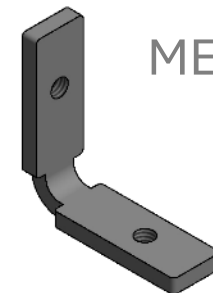
MBS.060



MBS.030



MEV.014



# DIN rail adapter

For mounting transformers, frequency converters, and other flat components on horizontal profiles with DIN-35 rails.

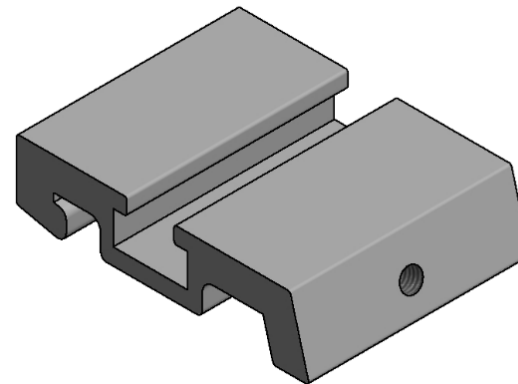
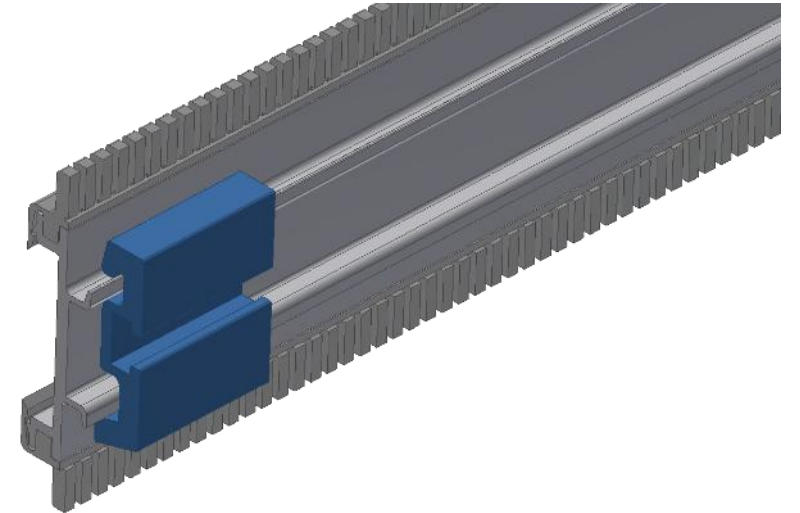
Ideal for mixed installations; suitable for all DIN rails.

Item no.	Mass	Sales Unit
AHA.053.0040.000	53 x 40 x 13 mm	20 Piece
incl. locking screws		

## AHA.053 DIN rail adapter

For mounting transformers, frequency converters, and other flat components on horizontal profiles with DIN-35 rails. Ideal for mixed installations; suitable for all DIN rails.

Fastening via M5×16 threaded stud.



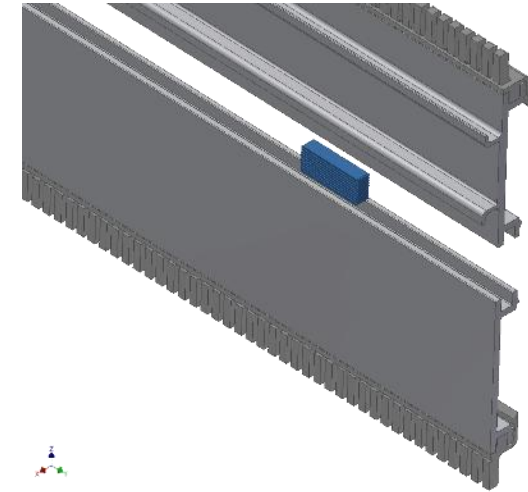
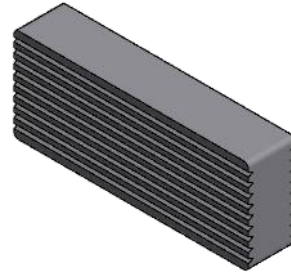
# Connectors for horizontal profiles

For universal mounting in wall cabinets or other enclosures.

Item no.	Mass	Sales Unit
MVH.010.0025.005	10 x 25 x 5 mm	50 Piece
MVH.021.0015.005	21 x 15 x 5 mm	50 Piece

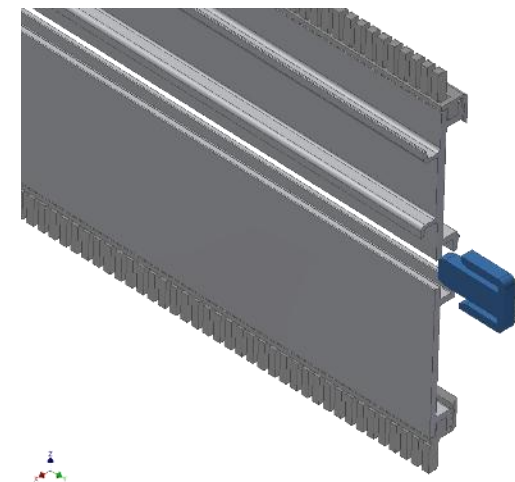
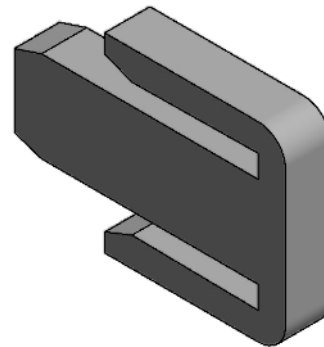
## MVH.010 Reinforcement insert

Serves as a reinforcement insert for connecting two horizontal profiles.



## MVH.021 Connection element

Insert one connection element on each side for every two horizontal profiles placed end-to-end. For connecting individual horizontal profiles.



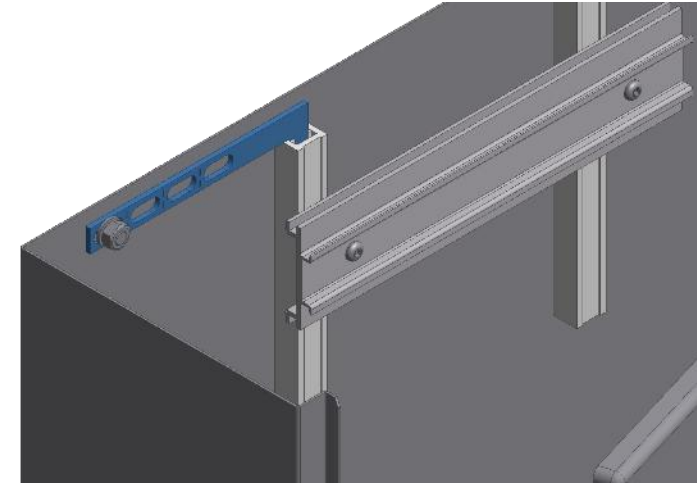
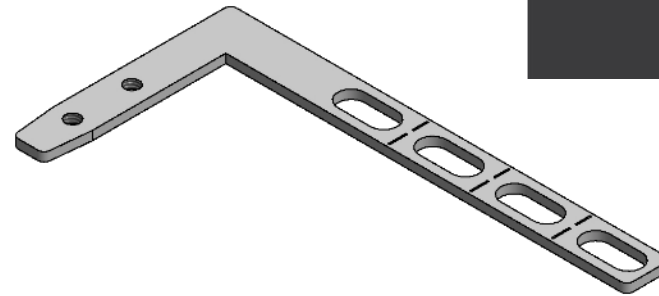
⇒ Overview

⇒ Overview connection elements

# Mounting bracket

For universal mounting in wall cabinets or other enclosures.

BWS.075

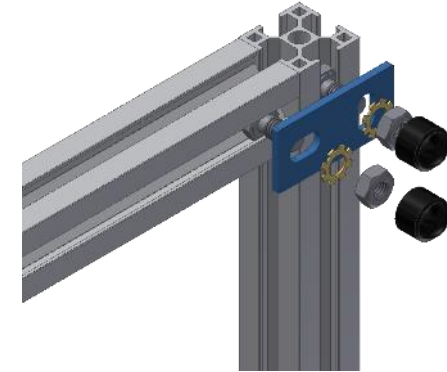
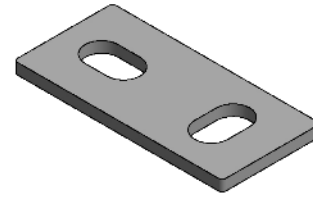


Item no.	Masse	Sales Unit
BWS.075.0148.003	105 x 148 x 3 mm	4 Piece
incl. mounting hardware		

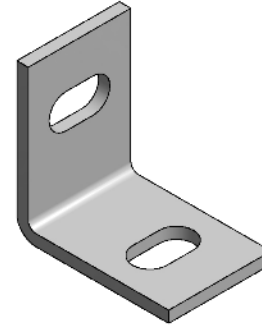
# Connection bracket

For easy connecting and fastening of ProFlex profiles.

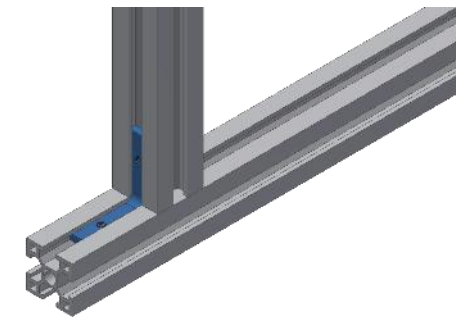
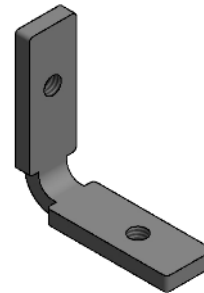
MBS.060



MBS.030



MEV.014



Item no.	Masse	Sales Unit
MBS.060.0030.003	60 x 30 x 3 mm	20 Piece*
MBS.030.0030.003	30 x 30 x 3 mm	20 Piece*°
MEV.014.0043.004	14 x 43 x 4 mm	4 Piece**

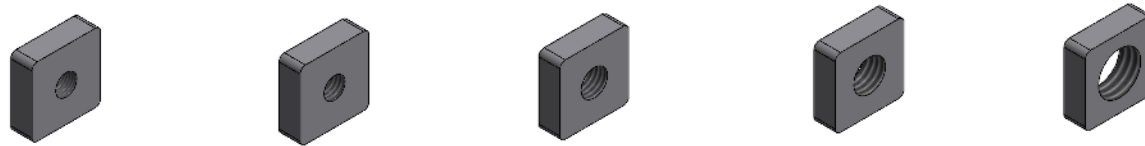
\*excl. screws | °Further sizes available on request  
\*\* incl. 2 locking screws

# Sliding nuts

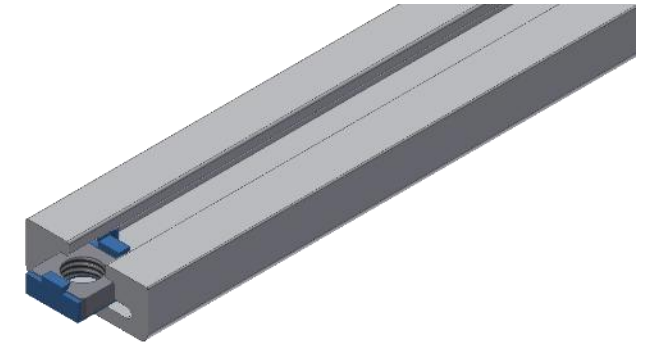
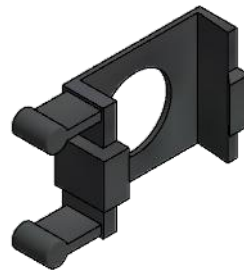
Square: For insertion into all slots of the ProFlex profiles.

Suitable for VP and HP profiles.

## MGV.013 sliding nuts



## KGK.913 Sliding nut cage (plastic)



Item no.	Thread	Sales Unit
MGV.013.0013.003	M3	100 Piece
MGV.013.0013.004	M4	100 Piece
MGV.013.0013.005	M5	100 Piece
MGV.013.0013.006	M6	100 Piece
MGV.013.0013.008	M8	100 Piece
KGK.913.0013.000		100 Piece

[⇒ Overview](#)[⇒ Overview plastic covers KAS](#)[⇒ Overview plastic covers KAP](#)

# Wiring combs

For easy snap-in installation in all ProFlex mounting rails with designated wiring-comb slots.

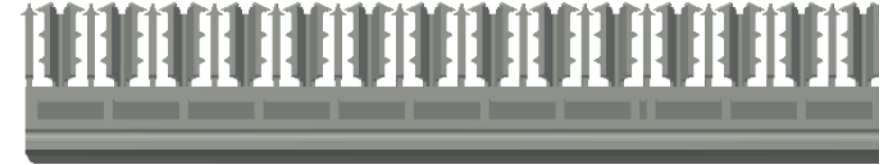
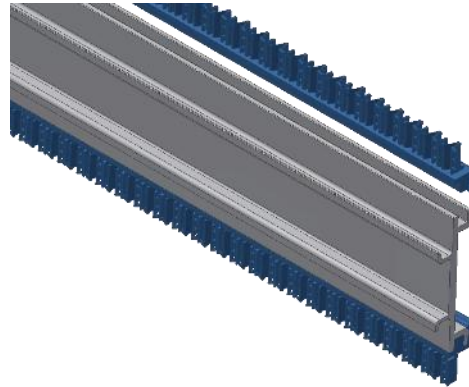
The wiring comb KKG.015 is suitable for conductor cross-sections from 1–16 mm<sup>2</sup> and is ideal for routing bus and patch cables.

The wiring comb KKS.015 is suitable for conductor cross-sections from 0.25–6 mm<sup>2</sup>.

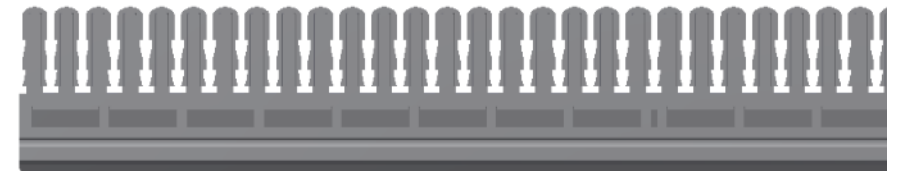
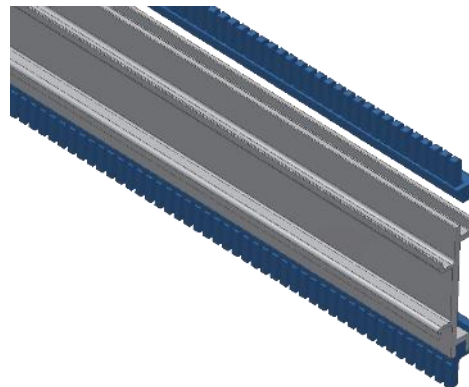
Item no.	Height	Length	Sales Unit
KKG.015.0300.000	15	300	300 Piece
KKS.015.0300.000	15	300	500 Piece
KKS.015.0300.H10	15	300	500 Piece

H10 = Halogen-free

## KKG.015



## KKS.015



⇒ Overview

⇒ Overview plastic covers KAS

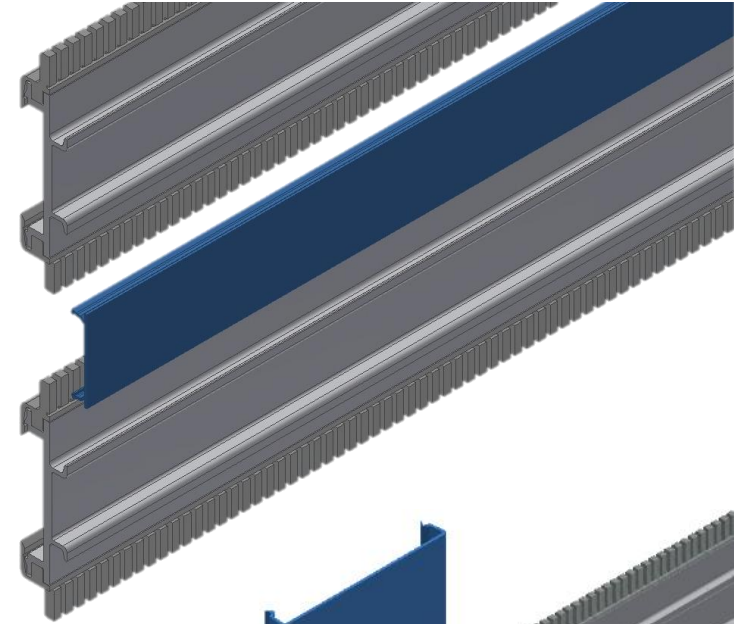
⇒ Overview plastic covers KAP

# Plastic covers

Selection of plastic covers for your ProFlex solution.

## KAS

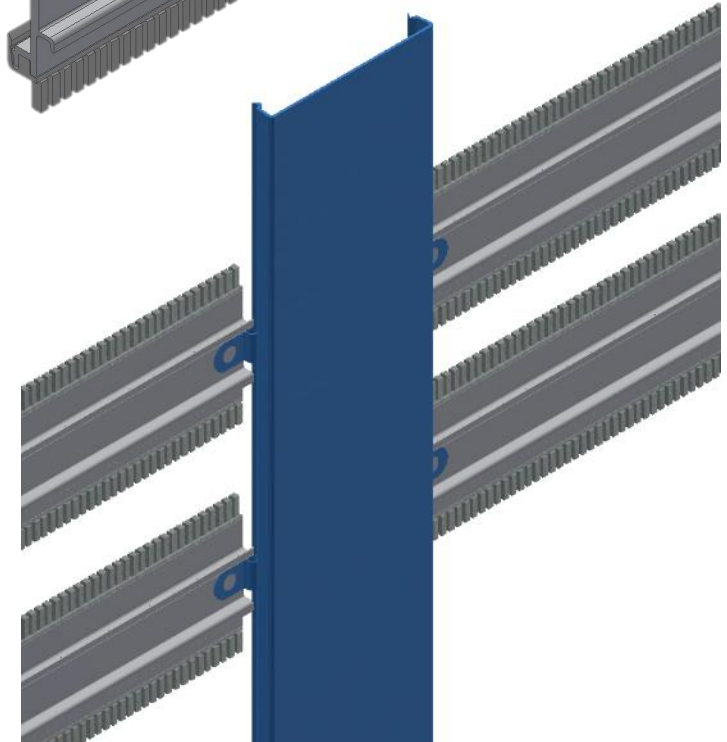
For covering the space between the mounting rails; simply snap into the KKS wiring combs.



## KAP

Used as a vertical channel together with the SRE.016 mounting clamp.

⇒ SRE.016 mounting clamp



# Plastic covers KAS

For covering the space between the mounting rails; simply snap into the KKS wiring combs.

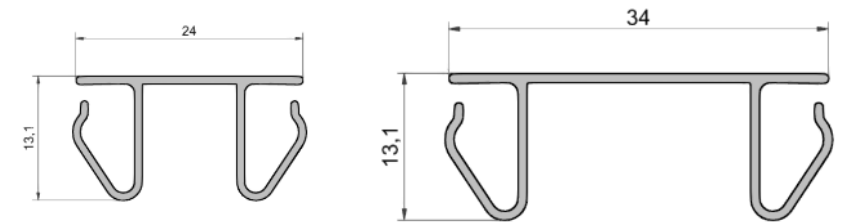
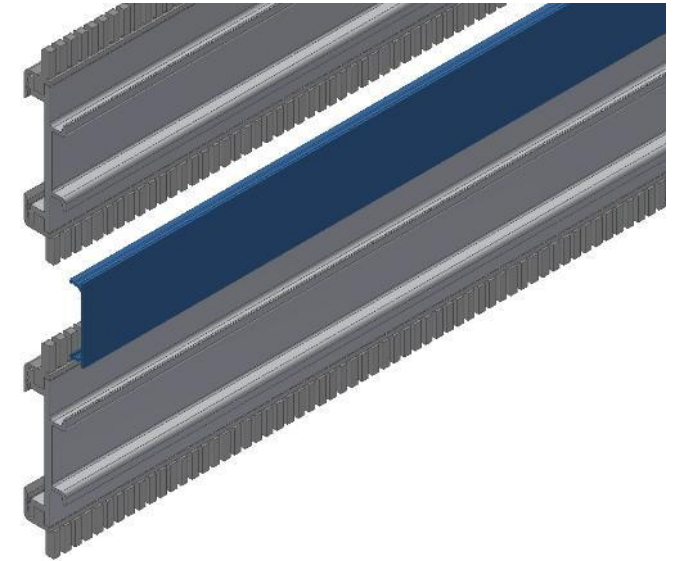
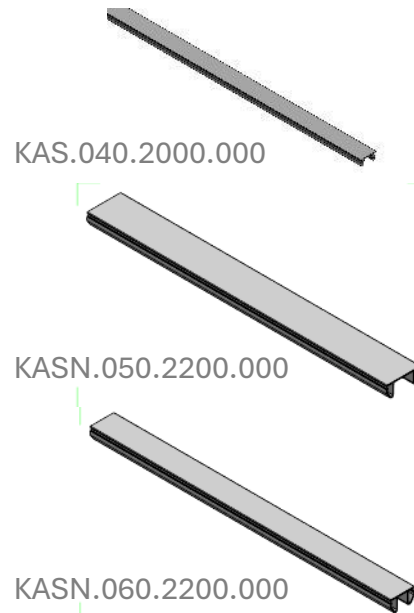
Easy to cut to length and adapt using WHS shears for plastic parts.

Item no.	Height	Width	Sales Unit
KAS.040.2000.000	40	2000	50 Piece*
KASN.050.2200.000	50	2200	50 Piece*
KASN.060.2200.000	60	2200	50 Piece*
KAS.040.2000.1HF	40	2000	50 Piece**
KAS.050.2000.1HF	50	2000	50 Piece**
KAS.060.2000.1HF	60	2000	50 Piece**
KAS.080.2000.1HF	80	2000	50 Piece**

Color: \*RAL 7035 | \*\*RAL 7004

## KAS

For covering the space between the mounting rails; simply snap into the KKS wiring combs.



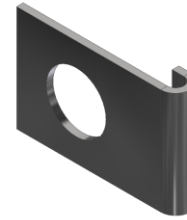
# Plastic covers KAP

Used as a vertical channel together with the SRE.016 mounting clamp.

Item no.	Height	Width	Sales Unit
KAP.040.2000.000	40	2000	50 Piece
KAP.060.2000.000	60	2000	50 Piece
KAP.080.2000.000	80	2000	50 Piece
KAP.100.2000.000	100	2000	50 Piece
SRE.016.0008.025	M8		100 Piece

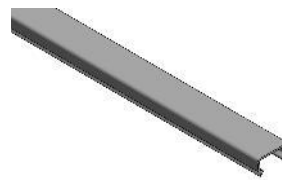
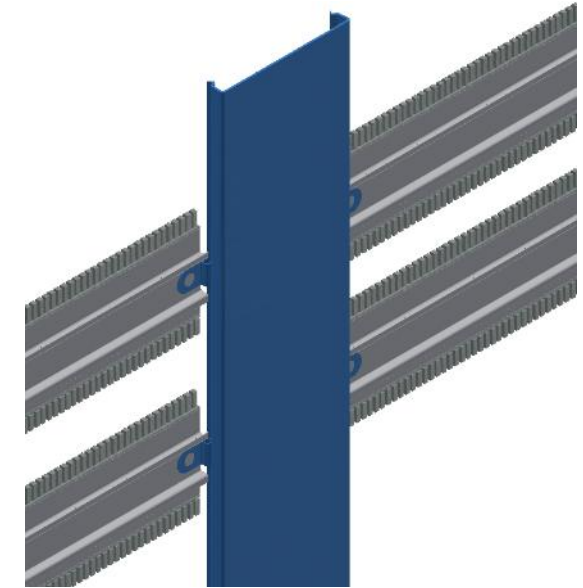
## SRE.016 Mounting clamp

für Montage vertikale  
Befestigung

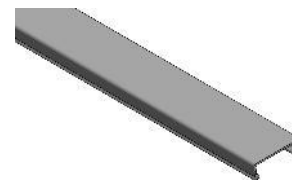


## KAP

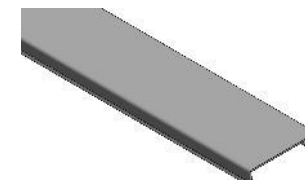
Used as a vertical channel together  
with the SRE.016 mounting clamp.



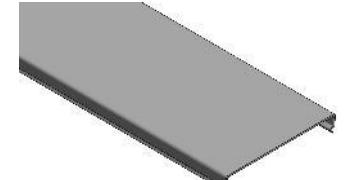
KAP.040.2000.000



KAP.060.2000.000



KAP.080.2000.000



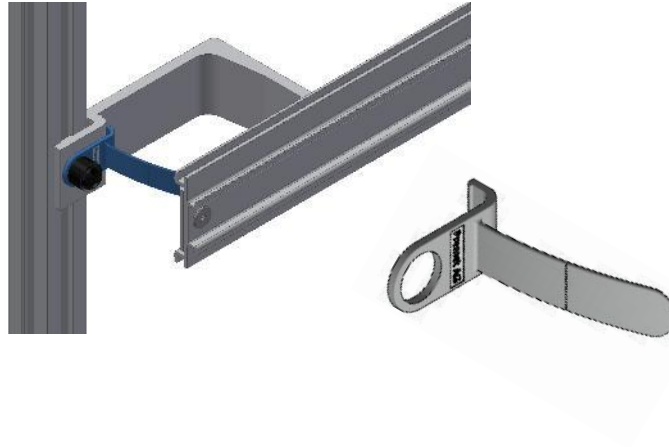
KAP.100.2000.000

# Wire holder

Selection of wire holders for your ProFlex solution.

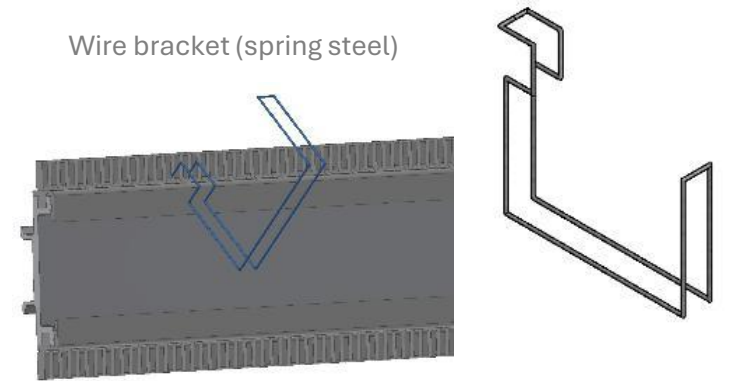
## KKH.020

Plastic wire holder



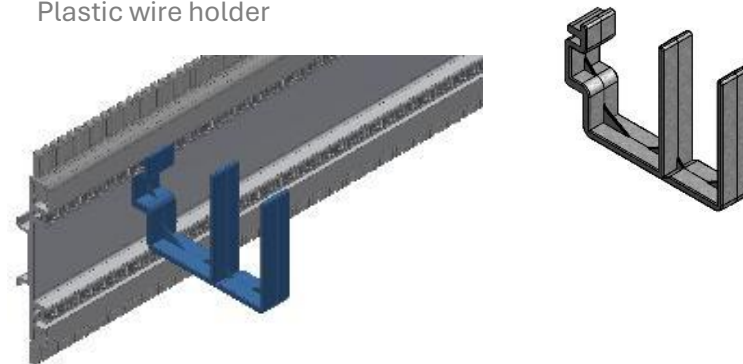
## MDH.060

Wire bracket (spring steel)



## KDH.080

Plastic wire holder



Item no.	Height	Width	Sales Unit
KKH.020.0072.000	L: 42	20	50 Piece
KDH.080.0040.015	80	15	100 Piece
MDH.060.0040.001	40	10	100 Piece

# Adaptations



Selection of adaptations for your Rittal enclosure.

Item no.	Tiefe	Width	Sales Unit
MBS.070.1045.025	H: 55	70	6 Piece*
MBS.070.0045.025	H: 45	70	6 Piece*
MBS.002.0400.000	400		6 Piece*
MBS.002.0500.000	500		6 Piece*
MBS.002.0600.000	600		6 Piece*
MBS.002.0800.000	800		6 Piece*
MBS.070.0045.000	H: 45	75	6 Piece*

\*inkl. Befestigungsmaterial

**\*Mounting hardware consisting of:**

6x 7205-0025 – 6x 7205-0025 – Hexagon bolt M8x16

6x 7205-0021 – Hexagon nut M8

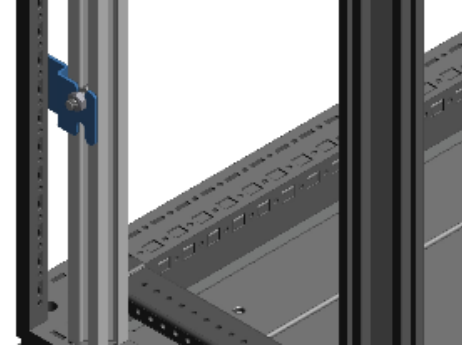
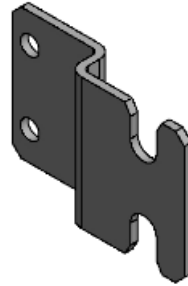
6x 7205-0020 – Spring lock washer M82

4x 7224-0039 – Pan-head sheet metal screw 5.

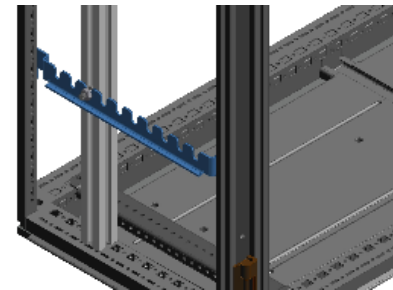
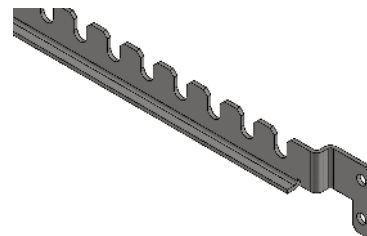
5 x 1324x 7212-0021 – Spring washer M6

6x 7224-0040 – U-washer M6

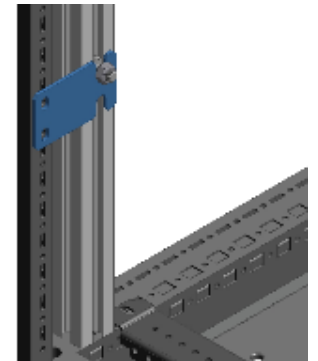
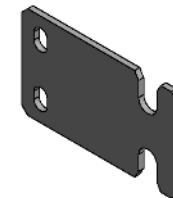
## MBS.070 Adaptation bracketTS8



## MBS.002 Adaptation rail TS8 / VX



## MBS.070 Adapter plate TS8



# Adapter rails



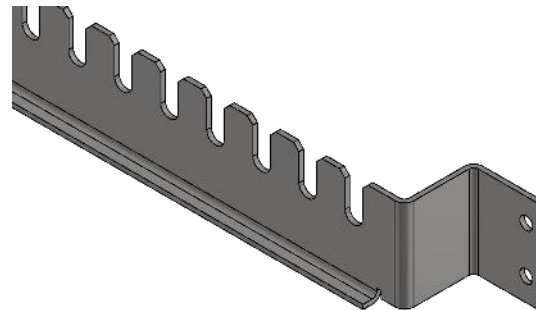
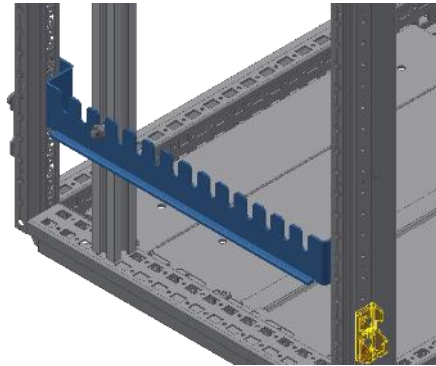
Selection of adaptations for your ELDON / HÄWA enclosure.

Item no.	Width	Sales Unit
MBS.001.0400.000	400	6 Piece*
MBS.001.0500.000	500	6 Piece*
MBS.001.0600.000	600	6 Piece*
MBS.001.0800.000	800	6 Piece*
MBS.004.0400.000	400	6 Piece*
MBS.004.0500.000	500	6 Piece*
MBS.004.0600.000	600	6 Piece*
MBS.004.0800.000	800	6 Piece*
*inkl. Befestigungsmaterial weitere Größen auf Anfrage		

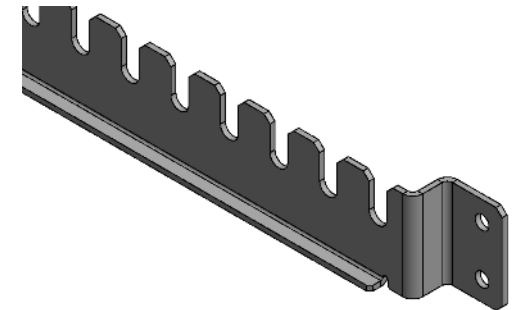
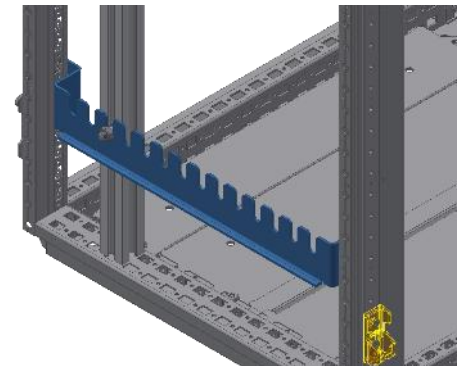
**\*Mounting hardware consisting of:**

- 6x 7205-0025 – 6x 7205-0025 – Hexagon bolt M8×16
- 6x 7205-0021 – Hexagon nut M8
- 6x 7205-0020 – Spring lock washer M82
- 4x 7224-0039 – Pan-head sheet metal screw 5.
- 5 × 1324× 7212-0021 – Spring washer M6
- 6x 7224-0040 – U-washer M6

MBS.001 Adapter rail MC



MBS.00 Adapter rail H390/H370



# Adapter rail



Selection of adapters for your LOHMEIER enclosure.

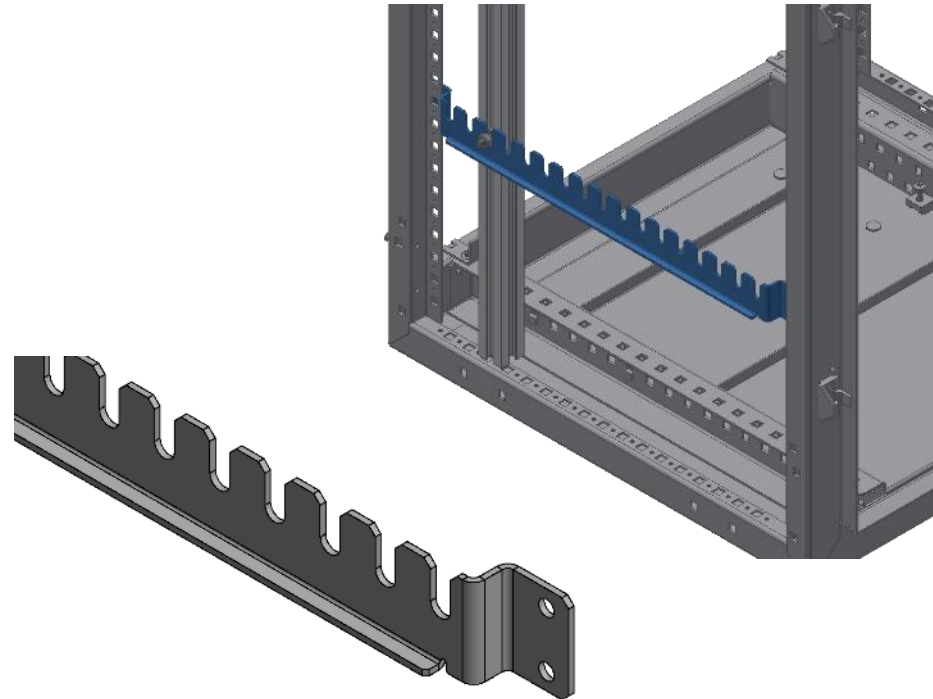
Item no.	Width	Sales Unit
MBS.005.0400.000	400	6 Piece*
MBS.005.0500.000	500	6 Piece*
MBS.005.0600.000	600	6 Piece*
MBS.005.0800.000	800	6 Piece*

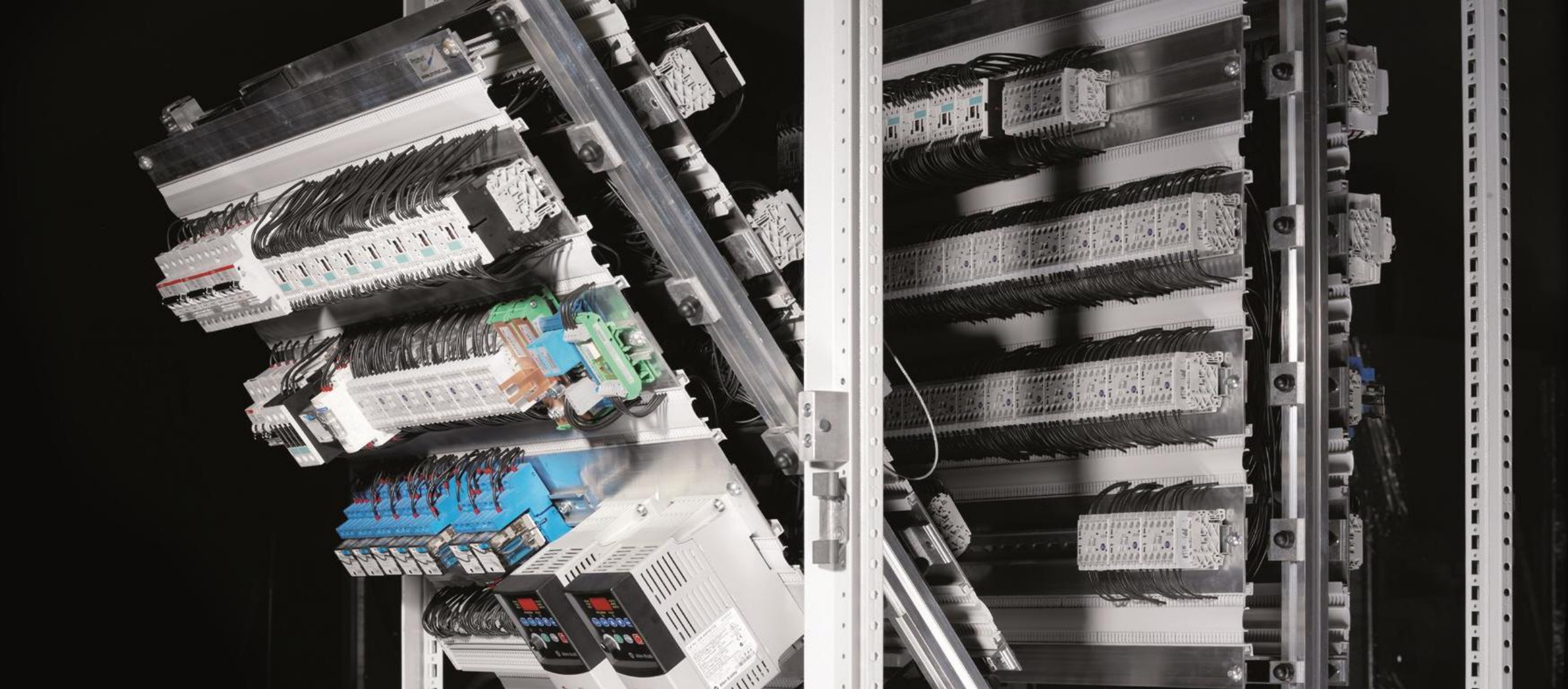
\*inkl. Befestigungsmaterial  
weitere Grössen auf Anfrage

**\*Mounting hardware consisting of:**

- 6x 7205-0025 – 6x 7205-0025 – Hexagon bolt M8×16
- 6x 7205-0021 – Hexagon nut M8
- 6x 7205-0020 – Spring lock washer M82
- 4x 7224-0039 – Pan-head sheet metal screw 5.
- 5 x 1324x 7212-0021 – Spring washer M6
- 6x 7224-0040 – U-washer M6

## MBS.005 Adapter rail RS





## ProFlex Verdrahtungssysteme